

AC, BC Series

Three-devices Combination
(F.R.L. Combination)

Valvo
Group



AC2000



AC2000



BC(2000-4000)

FRL

AC, BC

AFC, BFC

AF, BF

AR, BR

AFR, BFR

AL, BL

JAC

JAF

JAR

JAW

JAL

JC

X-FE

FE

GC

ZYR10

PTH

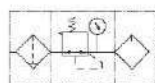
JAD

DPS

Ordering Code

BC	3000	D
Model	Port Size	Drain Type
AC: Small	1500: G1/8" 2000: G1/4" 3000: G3/8" 4000: G1/2"	Blank: Semi-automatic D: Automatic * Not applied to AC
BC: Medium		

Symbol



Specification

Model	AC1500	AC2000	BC2000	BC3000	BC4000	
Operating Fluid	Air					
Port Size	G1/8"	G1/4"	G1/4"	G3/8"	G1/2"	
Filter Precision	40 μ					
Range of Adjustable Pressure	0.05 ~ 0.85 MPa					
Max. Adjustable Pressure	0.95 MPa					
Proof Pressure Resistance	1.5 MPa					
Operating Temperature Range	5 ~ 60 °C					
Capacity of Filter Cup	15 cc			60 cc		
Capacity of oil Cup	25 cc			90 cc		
Recommended Lubricant	ISO VG 32 or Same Grade Oil					
Weight	0.7 KG		0.9 KG			
Material	Body	Aluminum Alloy Die-casting Forming				
	Container Cup	PC				
	Protective Cover	-		Iron		
Components	Filter Regulator	AF1500	AF2000	BF2000	BF3000	BF4000
	Regulator	AR1500	AR2000	BR2000	BR3000	BR4000
	Lubricator	AL1500	AL2000	BL2000	BL3000	BL4000

AFC, BFC Series

Two-devices Combination
(F.R.L. Combination)

ISO9001:2015 CE



AFC2000



AFC2000

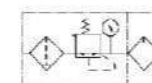


BFC(2000-4000)

Ordering Code

BFC	3000	D
Model	Port size	Drain Type
AFC: Small	1500: G1/8" 2000: G1/4" 3000: G3/8" 4000: G1/2"	Blank: Semi-automatic D: Automatic * Not applied to AFC
BFC: Medium		

Symbol



Specification

Model	AFC1500	AFC2000	BFC2000	BFC3000	BFC4000	
Operating Fluid	Air					
Port Size	G1/8"	G1/4"	G1/4"	G3/8"	G1/2"	
Filter Precision	40 μ					
Range of Adjustable Pressure	0.05 ~ 0.85 MPa					
Max. Adjustable Pressure	0.95 MPa					
Proof Pressure Resistance	1.5 MPa					
Operating Temperature Range	5 ~ 60 °C					
Capacity of Filter Cup	15 cc			60 cc		
Capacity of oil Cup	25 cc			90 cc		
Recommended Lubricant	ISO VG 32 or Same Grade Oil					
Weight	0.5 KG		0.7 KG			
Material	Body	Aluminum Alloy Die-casting Forming				
	Container Cup	PC				
	Protective Cover	-		Iron		
Components	Filter Regulator	AFR1500	AFR2000	BFR2000	BFR3000	BFR4000
	Lubricator	AL1500	AL2000	BL2000	BL3000	BL4000

FRL

AC, BC

AFC, BFC

AF, BF

AR, BR

AFR, BFR

AL, BL

JAC

JAF

JAR

JAW

JAL

JC

X-FE

FE

GC

ZYR10

PTH

JAD

DPS

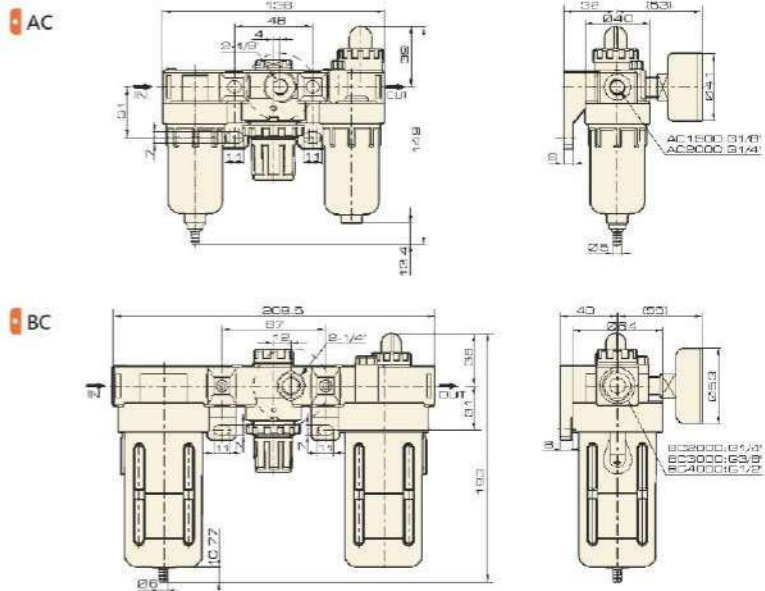
AC, BC Series AFC, BFC Series



AC, BC Series

Three-devices Combination (F.R.L. Combination)

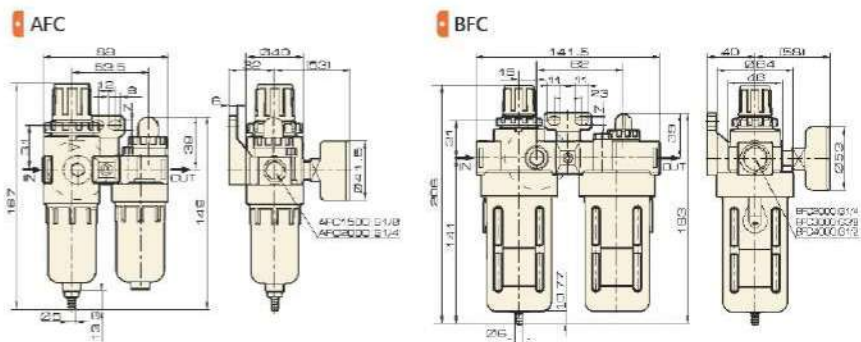
Overall Dimension



AFC, BFC Series

Two-devices Combination (F.R.L. Combination)

Overall Dimension



ISO9001:2015 CE

AF, BF Series Filter



AF2000

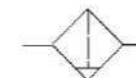


BF (2000~4000)

Ordering Code

BF	3000	D
Model	Port Size	Drain Type
AF: Small	1500: G1/8" 2000: G1/4" 3000: G3/8" 4000: G1/2"	Blank: Semi-automatic D: Automatic * Not applied to AF
BF: Medium		

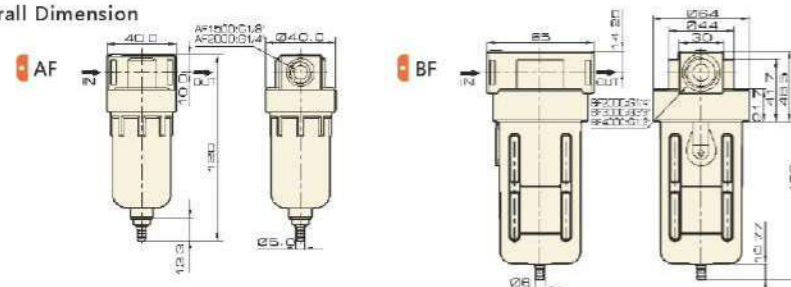
Symbol



Specification

Model	AF1500	AF2000	BF2000	BF3000	BF4000
Operating Fluid	Air				
Port Size	G1/8"	G1/4"	G1/4"	G3/8"	G1/2"
Filter Precision	40 μ				
Proof Pressure Resistance	1.5 MPa				
Operating Temperature Range	5~60 °C				
Capacity of Filter Cup	15 cc		60 cc		
Weight	0.14 KG		0.33 KG		
Material	Body	Aluminum Alloy Die-casting Forming			
	Container Cup	PC			
	Protective Cover	Iron			

Overall Dimension



FRL
AC, BC
AFC, BFC
AF, BF
AR, BR
AFR, BFR
AL, BL
JAC
JAF
JAR
JAW
JAL
JC
X-FE
FE
GC
ZYR10
FTH
JAD
DPS

FRL
AC, BC
AFC, BFC
AF, BF
AR, BR
AFR, BFR
AL, BL
JAC
JAF
JAR
JAW
JAL
JC
X-FE
FE
GC
ZYR10
FTH
JAD
DPS

AR, BR Series Regulator

Valvo
Group



BR (2000~4000)



AR2000

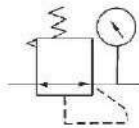


AR2000

Ordering Code

BR	3000
Model	Port Size
AR : Small	150Q: G1/8"
	200Q: G1/4"
	300Q: G3/8"
BR : Medium	400Q: G1/2"

Symbol

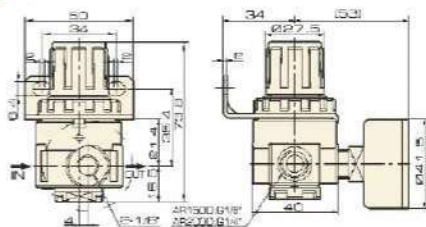


Specification

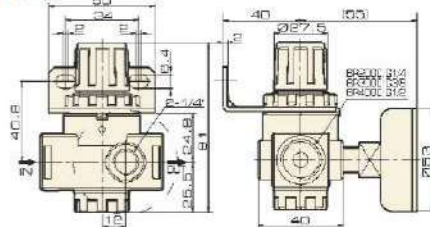
Model	AR1500	AR2000	BR2000	BR3000	BR4000
Operating Fluid	Air				
Port Size	G1/8"	G1/4"	G1/4"	G3/8"	G1/2"
Range of Adjustable Pressure	0.05 ~ 0.85 MPa				
Max. Adjustable Pressure	0.95 MPa				
Proof Pressure Resistance	1.5 MPa				
Operating Temperature Range	5 ~ 60 °C				
Weight	0.20 KG		0.23 KG		
Body Material	Aluminum alloy, Die-casting Forming				

Overall Dimension

AR



BR



ISO9001:2015 CE

AFR, BFR Series Filter & Regulator



AFR2000



AFR2000

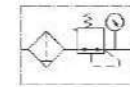


BFR(2000~4000)

Ordering Code

BFR	2000	D
Model	Port Size	Drain Type
AFR: Small	150Q: G1/8"	Blank: Semi-automatic
	200Q: G1/4"	D: Automatic
BFR: Medium	300Q: G3/8"	* Not applied to AFR
	400Q: G1/2"	

Symbol

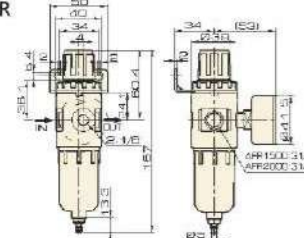


Specification

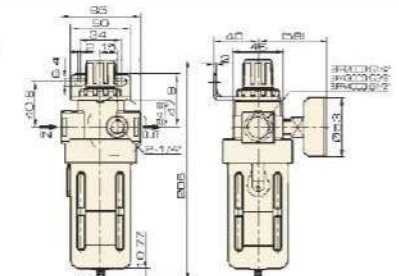
Model	AFR1500	AFR2000	BFR2000	BFR3000	BFR4000
Operating Fluid	Air				
Port Size	G1/8"	G1/4"	G1/4"	G3/8"	G1/2"
Range of Adjustable Pressure	0.05 ~ 0.85 MPa				
Max. Adjustable Pressure	0.95 MPa				
Proof Pressure Resistance	1.5 MPa				
Operating Temperature Range	5 ~ 60 °C				
Capacity of Filter Cup	15 cc		60 cc		
Weight	0.26 KG		0.4 KG		
Material	Body	Aluminum Alloy, Die-casting Forming			
	Container Cup	PC			
	Protective Cover	-		Iron	

Overall Dimension

AFR



BFR



AL, BL Series Lubricator

Valvo
Group

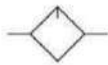


FRL
AC, BC
AFC, BFC
AF, BF
AR, BR
AFE, BFE
AL, BL
JAC
JAF
JAR
JAW
JAL
JC
X-FE
FE
GC
ZYR10
PTH
JAD
DPS

Ordering Code

BL	3000
Model	Port Size
AL: Small	1500: G1/8"
	2000: G1/4"
	3000: G3/8"
BL: Medium	4000: G1/2"

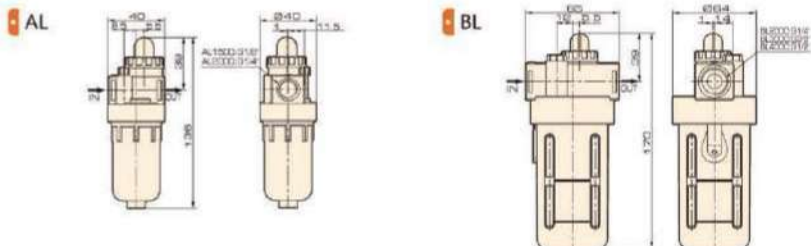
Symbol



Specification

Model	AL1500	AL2000	BL2000	BL3000	BL4000
Operating Fluid	Air				
Port Size	G1/8"	G1/4"	G1/4"	G3/8"	G1/2"
Range of Adjustable Pressure	1.5 MPa				
Proof Pressure Resistance	5-60 °C				
Operating Temperature Range	ISO VG 32 or Same Grade Oil				
Capacity of Filter Cup	25 cc		90 cc		
Weight	0.17 KG		0.25 KG		
Material	Body				
	Aluminum Alloy Die-casting Forming				
	Container Cup				
	-			PC	
	-			Iron	

Overall Dimension



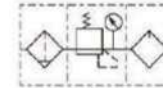


- FRL
- AC, BC
- AFC, BFC
- AF, BF
- AR, BR
- AFR, BFR
- AL, BL
- JAC
- JAF
- JAR
- JAW
- JAL
- JC
- X-FE
- FE**
- GC
- ZYR10
- PTH
- JAD
- DPS

Ordering Code

FRC	3/4	7	5M	O	MAXI	A
Standard	Port Size	Pressure Range	Filter Range	Gauge	Size	Drain Type
FRC: 2 Combination	G1/8	Blank: 0.5 ... 12 bar	Blank: 40 µm	Blank: With Gauge	MINI: Mini	Blank: Hand
LFR: Filter regulator	G1/4	7: 0.5 ... 7 bar	5M: 5µm	O: Without Gauge	MIDI: Mid	H: Semi Automatic
LR: Regulator	G3/8				MAXI: Max	A: Automatic
LF: Filter	G1/2					
LOE: Lubricator	G3/4					
	G1					

Symbol



Specification

Specification	Mini			Mid			Maxi		
Port Size	G1/8	G1/4	G3/8	G3/8	G1/2	G3/4	G3/4	G1	
Working Medium	Compressed Air								
Structure Features	Filter regulator, with/without gauge proportional Lubricator								
Install Way	By Accessories Tube								
Install Position	Vertical ±5°								
Regulator Lock	Rotary handle, with lock Rotary handle, with itergrated locks								
Filter Class [µm]	5 or 40								
Max Hysteresis [bar]	0.2								
Preessure Range [bar]	0.5 ... 7 0.5 ... 12								
Preessure Display	By Gauge								
Water Capacity [cm³]	G1/8 Preset			G1/4 Preset			G1/4 Preset		
Input Pressure [bar]	22			43			80		
Water Exhaust	Hand	1 ... 16							
	Semi Automatic	1.5 ... 16							
	Automatic	2 ... 12							

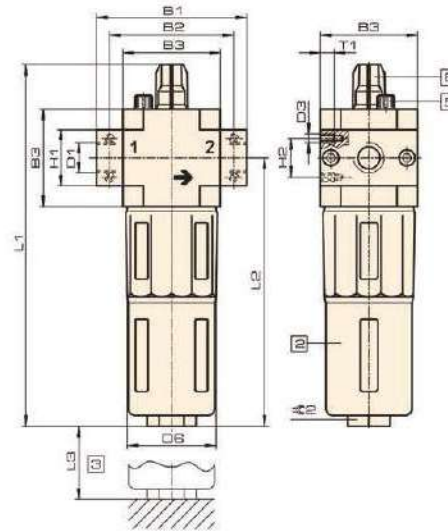
FE Series

Air Filter Combination (2 Combination)

Valvo
Group

- FRL
- AC, BC
- AFC, BFC
- AF, BF
- AR, BR
- AFR, BFR
- AL, BL
- JAC
- JAF
- JAR
- JAW
- JAL
- JC
- X-FE
- FF**
- GC
- ZVR10
- PTH
- JAD
- DPS

Overall Dimension



- 2 Metal cover
 - 3 Install dimension
 - 5 Screws with hole, for lubricator
 - 6 Oil regulator Screw
- Air flow

Dimension

Model	B1	B2	B3	B4	B5	D1	ØD2	D3	ØD6	H1	H2	L1	L2	L3	T1	T2	≈±2
Mini																	
LOE-1/8-MINI	64	52	40	30	-	G1/8	-	M4	38	20	11	169	124	100	7	-	22
LOE-1/4-MINI						G1/4											
LOE-3/8-MINI						G3/8											
Midi																	
LOE-3/8-MIDI	85	70	55	43	-	G3/8	-	M5	52	32	22	204	151	120	8	-	24
LOE-1/2-MIDI						G1/2											
LOE-3/4-MIDI						G3/4											
Maxi																	
LOE-3/4-MAXI	96	80	66	46	-	G3/4	-	M5	65	32	22	228	170	150	8	-	24
LOE-1-MAXI	116	91				G1				40							

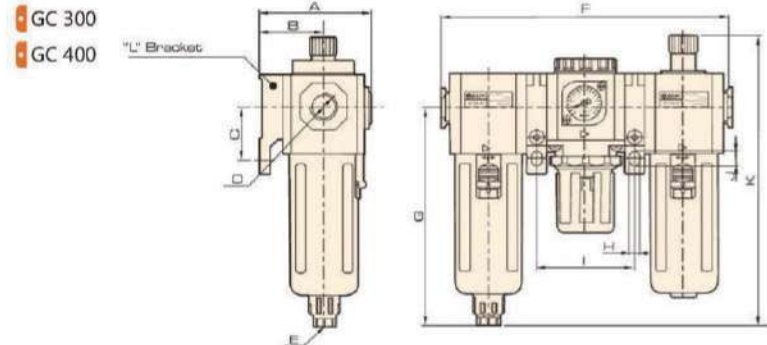
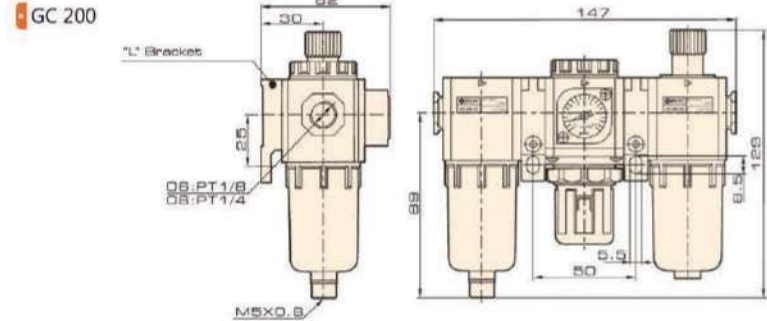
GC Series Air Source Unit (3 or 2 Combination)



FRL	FRL
AC, BC	AC, BC
AFC, BFC	AFC, BFC
AF, BF	AF, BF
AR, BR	AR, BR
AFR, BFR	AFR, BFR
AL, BL	AL, BL
JAC	JAC
JAF	JAF
JAR	JAR
JAW	JAW
JAL	JAL
JC	JC
X-FE	X-FE
FE	FE
GC	GC
ZYR10	ZYR10
PTH	PTH
JAD	JAD
DPS	DPS

GC Series Air Source Unit (3 or 2 Combination)

Overall Dimension

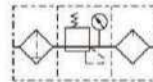


Ordering Code

GC	200	08	M	F	1	W	G
Code	Series	Port Size	Drain	Pressure Gauge	Scale	Filter Accuracy	Thread
GC: 3 Combination	200 Series	06 : PT 1/8	Blank: Semi-auto drain	F: Square type	1: MPa	Blank: 40 μ	Blank: PT
GFC: 2 Combination	300 Series	08 : PT 1/4	M: Manual drain	C: Traditional type	2: Psi	W: 5 μ	G: PS
GFR: Filter-regulator combination	400 Series	10 : PT 3/8	A: Auto drain				T: NPT
GF: Filter		15 : PT 1/2					
GR: Regulator							
GL: Lubricator							

*Note: No Auto Drain type is available on GC 200 Series.
**Note: Max. adjustable pressure is at 0.4 MPa on Low pressure type.

Symbol



Specification

Model	GC200-06	GC200-08	GC300-08	GC300-10	GC300-15	GC400-10	GC400-15	
Working medium	Air							
Port Size	PT1/8	PT1/4	PT1/4	PT3/8	PT1/2	PT3/8	PT1/2	
Filtration	40 μ or 5 μ							
Adjustable pressure range	0.15 ~ 0.9 MPa							
Maximum working pressure	1.0 MPa							
Proof Pressure	1.5 MPa							
Operating Temperature Range	5 ~ 60 °C							
Capacity of Filter Cup	10 CC		40 CC			80 CC		
Capacity of Oil Cup	25 CC		75 CC			160 CC		
Recommended Lubrication	ISO VG 32 or Same Grade							
Weight	580 g		1300 g			2358 g		
Components	Filter	GF 200-06	GF 200-08	GF 300-08	GF 300-10	GF 300-15	GF 400-10	GF 400-15
	Regulator	GR 200-06	GR 200-08	GR 300-08	GR 300-10	GR 300-15	GR 400-10	GR 400-15
	Lubricator	GL 200-06	GL 200-08	GL 300-08	GL 300-10	GL 300-15	GL 400-10	GL 400-15

Dimension

Model / Symbol	A	B	C	D	E	F	G	H	I	J	K
GC300-08	71	41.5	35	PT 1/4	PS 1/8	188	143	6.5	64	9	188
GC300-10	71	41.5	35	PT 3/8	PS 1/8	188	143	6.5	64	9	188
GC300-15	71	41.5	35	PT 1/2	PS 1/8	188	143	6.5	64	9	188
GC400-10	85.5	50	40	PT 3/8	PS 1/4	248	166.5	8.6	84	12	216
GC400-15	85.5	50	40	PT 1/2	PS 1/4	248	166.8	8.6	84	12	216

JC Series

Air Filter Combination

(3 or 2 Combination)

Valvo
Group



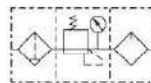
Feature

- The strength and light valve body is made of quality aluminum alloy.
- The regulator has balanced structure and is featured with good precision and stability.
- The oil cup is more convenient to be oiled.
- The drainage and oil interval is longer depending on the extended type of water cup and oil cup.
- Two combination and three combination share the same bracket and the separated unit including regulator and filter and filter & regulator have their own bracket for easier maintenance.

Ordering Code

J	C	20	02		N
Series	Function Code	Specification	Port Size	Drain	Blank Standard
J Series	C: 3 or 2 combination R: Regulator	2L: 2 Combination	02: G 1/4"	Blank: Manual drain	Blank Standard
	F: Filter L: Lubricator				
	W: Filter-regulator combination				

Symbol



Specification

Model	JC20-02	JC21-02	JW20-02	JR20-02	JF20-02	JL20-02
Rated Flow	500	500	550	550	750	800
Port Size	1/4	1/4	1/4	1/4	1/4	1/4
Filtration	25 μm					
Maximum Working Pressure	1.0 MPa					
Proof Pressure	1.5 MPa					
Operating Temperature Range	5~60 °C					
Adjustable Pressure Range	0.05~0.85 MPa					
Recommended Lubricant	ISO VG 32			-	ISO VG 32	
Bowl Material	Polycarbonate			-	Polycarbonate	
Cover	Without					
Drain Function	Manual Drain	Manual Drain	Manual Drain	-	Manual Drain	-
Valve Type	Relieving type					
Components	Filter	Filter & Regulator	-	-	-	-
	Regulator	-	-	-	-	-
	Lubricator	Lubricator	-	-	-	-

ISO9001:2015 CE

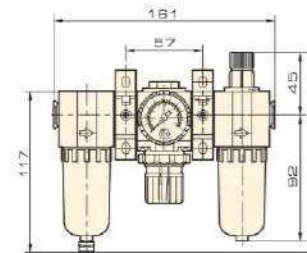
JC Series

Air Filter Combination

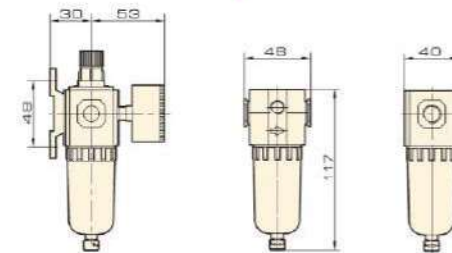
(3 or 2 Combination)

Overall Dimension

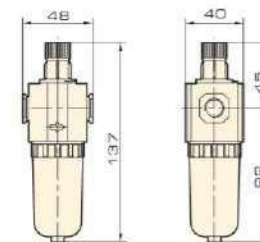
JC20-02



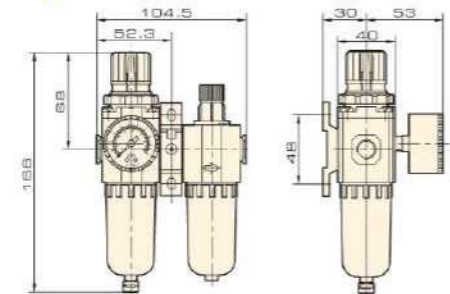
JF20-02



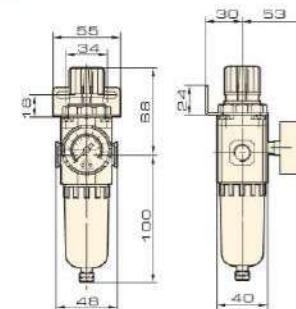
JL20-02



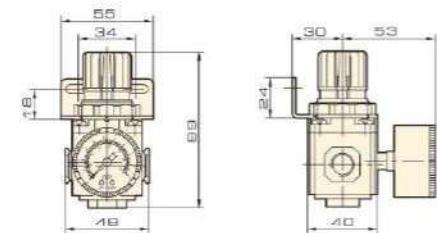
JC21-02



JW20-02



JR20-02



JAC Series 1010~5010

Air Filter Combination (F.R.L. Combination)

Valvo Group



JAC3010-N



JAC2010

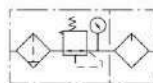


JAC4010

Ordering Code

JA	C	4010	04	D	N
Series	Function	Specification	Port Size	Drain Type	Wiring Form
JAC2010-02	F.R.L. Combination	1010 2010 3010	M5: M5 x 0.8 01: G1/8" 02: G1/4"	Blank: Semi-automatic D: Lever Auto Drain	Blank: Standard N: Metal cup
JAC3010-03		4010 5010	03: G3/8" 04: G1/2" 06: G3/4" 10: G1"	D1: Lever auto-drain With external thread D2: Pulse auto-drain	
JAC3010-03N				* Suitable for 3010 and above series * Applicable pulse type for 2010 and below series	

Symbol



Specification

Model	JAC1010-M5	JAC2010-01	JAC2010-02	JAC3010-02	JAC3010-03	JAC4010-03	JAC4010-04	JAC4010-06	JAC5010-06	JAC5010-10	
Rated Flow	90	500	500	1700	1700	3000	3000	3000	4000	4000	
Port Size	M5	1/8	1/4	1/4	3/8	3/8	1/2	3/4	3/4	1	
Filter Precision	25 μm										
Max. Adjustable Pressure	1.0 MPa										
Proof Pressure Resistance	1.5 MPa										
Operating Temperature Range	5 ~ 60 °C										
Range of Adjustable Pressure	0.05 ~ 0.7 MPa		0.05 ~ 0.85 MPa								
Recommended Lubricant	ISO VG 32										
Container Material	Poly Carbonate										
Protective Cup Cover	Unavailable				Iron						
Drain Function	Differential Drain		Semi-automatic Drain, Automatic Drain								
Valve Type	With Overflow										
Assembly	Filter Regulator	JAW1000-M5	JAW2000-01	JAW2000-02	JAW3000-02	JAW3000-03	JAW4000-03	JAW4000-04	JAW4000-06	JAW5000-06	JAW5000-10
	Lubricator	JAL1000-M5	JAL2000-01	JAL2000-02	JAL3000-02	JAL3000-03	JAL4000-03	JAL4000-04	JAL4000-06	JAL5000-06	JAL5000-10

JAC Series

Air Filter Combination (F.R.L. Combination / F.R.L. Combination)

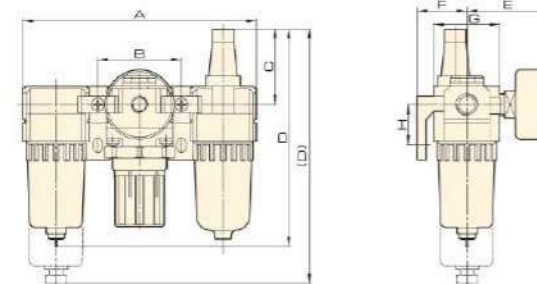
ISO9001:2015 CE

JAC Series 1000~5000

Air Filter Combination (F.R.L. Combination)

Overall Dimension

JAC1000 ~ JAC5000



Dimension

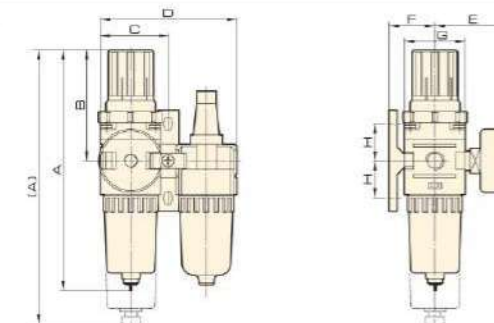
Model	Bore	A	B	C	D	E	F	G	H
JAC1000	M5	91	33	25.5	84.5	26	25	25	20
JAC2000	1/8 - 1/4	140	50	45.5	130.5 (152.5)	56.8	30	40	24
JAC2500	1/4 - 3/8	181	64	38	156.5	60.8	41	53	35
JAC3000	1/4 - 3/8	181	64	38	156.5	60.8	41	53	35
JAC4000	3/8 - 1/2	238	84	41	191.5	65.5	50	70	40
JAC4000-06	3/4	253	89	41	193	69.5	50	70	40
JAC5000	3/4 - 1	300	105	48	271.5	75.5	69.8	90	50

JAC Series 1010~5010

Air Filter Combination (F.R.L. Combination)

Overall Dimension

JAC1010 ~ JAC5010



Dimension

Model	Bore	A	B	C	D	E	F	G	H
JAC1010	M5	109.5	50.5	29	58	26	25	25	20
JAC2010	1/8 - 1/4	158 (180)	73	45	90	56.8	30	40	24
JAC3010	1/4 - 3/8	211	92.5	58.5	117	60.8	41	53	35
JAC4010	3/8 - 1/2	262	112	77	154	70.5	50	70	40
JAC4010-06	3/4	267	114	82	164	70.5	50	70	40
JAC5010	3/4 - 1	338	116	97.5	195	75.5	69.8	90	50

JAF Series

1000~5000 Air Filter



JAF2000

JAF4000

ISO9001:2015 CE

JAR Series

1000~5000 Regulator



JAR2000

JAR4000

FRL
AC, BC
AF, BF
AF, BF
AR, BR
AF, BF
AL, BL
JAC
JAF
JAR
JAW
JAL
JC
X-FE
FE
GC
ZYR10
PTH
JAD
DPS

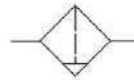
FRL
AC, BC
AF, BF
AF, BF
AR, BR
AF, BF
AL, BL
JAC
JAF
JAR
JAW
JAL
JC
X-FE
FE
GC
ZYR10
PTH
JAD
DPS

Ordering Code

JA	F	4000	04	D	N
Series	Function	Specification	Port Size	Drain type	Wiring Form
JAF2000-02	Filter	1000	M5: M5 x 0.8	Blank: Semi-automatic	Blank: Standard N: Metal cup
		2000	01: G1/8"		
		3000	02: G1/4"	D: Lever Auto Drain	
		4000	03: G3/8"	D1: Lever auto-drain With external thread	
JAF3000-03	Filter	5000	04: G1/2"	D2: Pulse auto-drain	
			06: G3/4"		
			10: G1"		

* Suitable for 3000 and above series
* Applicable pulse type for 2000 and below series

Symbol



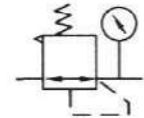
Specification

Model	JAF1000-M5	JAF2000-01	JAF2000-02	JAF3000-02	JAF3000-03	JAF4000-03	JAF4000-04	JAF4000-06	JAF5000-06	JAF5000-10
Rated Flow	110	750	750	1500	1500	4000	4000	6000	7000	7000
Port Size	M5	1/8	1/4	1/4	3/8	3/8	1/2	3/4	3/4	1
Filter Precision	25 μm									
Max. Adjustable Pressure	1.0 MPa									
Proof Pressure Resistance	1.5 MPa									
Ambient Temperature Range	5 ~ 60 °C									
Container Material	Poly Carbonate									
Container Cup	Unavailable					Iron				
Drain Function	Differential Drain	Semi-automatic Drain, Automatic Drain								

Ordering Code

JA	R	4000	04
Series	Function	Specification	Port Size
JAR2000-02	Regulator	1000	M5: M5 x 0.8
		2000	01: G1/8"
		2500	02: G1/4"
JAR3000-03		3000	03: G3/8"
		4000	04: G1/2"
	5000	06: G3/4"	
		10: G1"	

Symbol



Specification

Model	JAR01-M5	JAR01E-01	JAR2000-02	JAR2500-03	JAR2500-03	JAR3000-02	JAR3000-03	JAR4000-03	JAR4000-04	JAR4000-06	JAR5000-06	JAR5000-10
Rated Flow	110	550	550	2000	2000	2500	2500	6000	6000	6000	8000	8000
Port Size	M5	1/8	1/4	1/4	3/8	1/4	3/8	3/8	1/2	3/4	3/4	1
Max. Adjustable Pressure	1.0 MPa											
Proof Pressure Resistance	1.5 MPa											
Range of Adjustable Pressure	5 ~ 60 °C											
Range of Adjustable Pressure	0.05 - 0.7 MPa		0.05 ~ 0.85 MPa									
Valve Type	With Overflow											

JAF/JAR Series

1000~5000 Air Filter

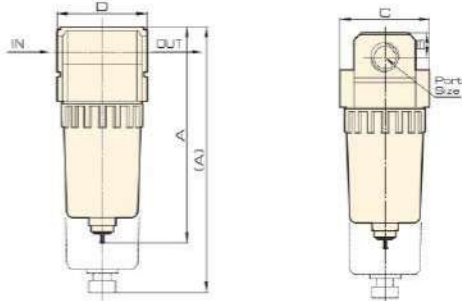
Valvo
Group

JAF Series

1000~5000 Air Filter

Overall Dimension

JAF



Dimension

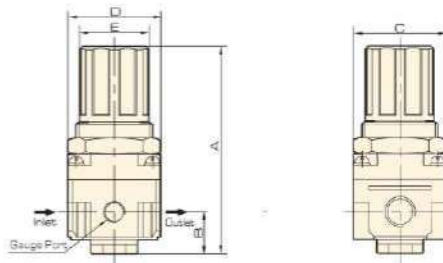
Model	Bore	A	B	C	D
JAF1000	M5	66	7	25	-
JAF2000	1/8 - 1/4	96 (118)	11	40	40
JAF3000	1/4 - 3/8	132.5	14	53	53
JAF4000	3/8 - 1/2	168.5	18	70	70
JAF4000-06	3/4	172.5	20	70	70
JAF5000	3/4 - 1	247.5	24	90	90

JAR Series

1000~5000 Regulator

Overall Dimension

JAR



Dimension

Model	Bore	A	B	C	D	E
JAR1000	M5	61.5	11	25	25	28
JAR2000	1/8 - 1/4	95	17	40	40	34
JAR2500	1/4 - 3/8	102.5	25	48	53	34
JAR3000	1/4 - 3/8	127.5	35	53	53	40
JAR4000	3/8 - 1/2	149.5	37.5	70	70	54
JAR4000-06	3/4	154	40.5	70	75	54
JAR5000	3/4 - 1	168	48	90	90	54

ISO9001:2015 CE

JAW Series

1000~5000 Filter & Regulator

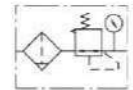


Ordering Code

JA	W	4000	04	D	N
Series	Function	Specification	Port Size	Drain Type	Wiring Form
JAW2000-02	Filter & Regulator	1000	M5: M5 x 0.8	Blank: Semi-automatic	Blank: Standard
JAW3000-03		2000	01: G1/8"	D: Lever Auto Drain	N: Metal cup
		3000	02: G1/4"	D1: Lever auto-drain	
		4000	03: G3/8"	With external thread	
		5000	04: G1/2"	D2: Pulse auto-drain	
		06: G3/4"	10: G1"		

* Suitable for 3000 and above series
* Applicable pulse type for 2000 and below series

Symbol



Specification

Model	JAW1000-M5	JAW2000-01	JAW2000-02	JAW3000-02	JAW4000-03	JAW4000-03	JAW4000-04	JAW4000-06	JAW5000-06	JAW5000-10
Rated Flow	100	550	550	2000	2000	4000	4000	4500	5500	5500
Port Size	M5	1/8	1/4	1/4	3/8	3/8	1/2	3/4	3/4	1
Filter Precision	25 µm									
Max. Adjustable Pressure	1.0 MPa									
Proof Pressure Resistance	1.5 MPa									
Operating Temperature Range	5 ~ 60 °C									
Range of Adjustable Pressure	0.05 ~ 0.7 MPa					0.05 ~ 0.85 MPa				
Container Material	Poly Carbonate									
Container Cup	Unavailable					Iron				
Drain Function	Differential Drain	Semi-automatic Drain, Automatic Drain								
Valve Type	With Overflow									

JAL Series

1000~5000 Lubricator

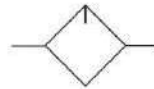


FRL
AC, BC
AFC, BFC
AF, BF
AR, BR
AFR, BFR
AL, BL
JAC
JAF
JAR
JAW
JAL
JIC
X-FE
FE
GC
ZVR10
PTH
JAD
DPS

Ordering Code

JA	L	4000	04	N
Series	Function	Specification	Port Size	Wiring Form
JAL2000-02	Lubricator	1000 2000 3000	M5: M5 x 0.8 01: G1/8" 02: G1/4"	Blank: Standard N: Metal cup
JAL3000-03		4000 5000	03: G3/8" 04: G1/2" 06: G3/4" 10: G1"	

Symbol



Specification

Model	JAL1000-M5	JAL2000-01	JAL2000-02	JAL3000-02	JAL3000-03	JAL4000-03	JAL4000-04	JAL4000-06	JAL5000-06	JAL5000-10
Rated Flow	95	800	800	1700	1700	5000	5000	6300	7000	7000
Port Size	M5	1/8	1/4	1/4	3/8	3/8	1/2	3/4	3/4	1
Max. Adjustable Pressure	1.0 MPa									
Proof Pressure Resistance	1.5 MPa									
Operating Temperature Range	5 ~ 60 °C									
Recommended Lubricant	0.05~0.7 MPa		ISO VG 32							
Container Material	Poly Carbonate									
Container Cup	Unavailable					Iron				

JAW/JAL Series

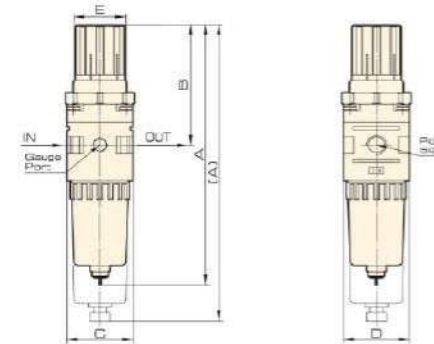
ISO9001:2015 CE

JAW Series

1000~5000 Filter & Regulator

Overall Dimension

JAW



Dimension

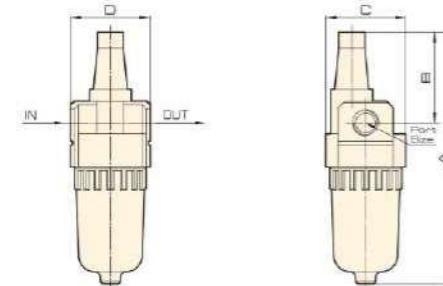
Model	Bore	A	B	C	D	E
JAW1000	M5	109.5	50.5	25	28	28
JAW2000	1/8 - 1/4	158 (180)	73	40	40	34
JAW3000	1/4 - 3/8	211	92.5	53	53	40
JAW4000	3/8 - 1/2	262	112	70	70	54
JAW4000-06	3/4	267	114	70	70	54
JAW5000	3/4 - 1	338	116	90	90	54

JAL Series

1000~5000 Lubricator

Overall Dimension

JAL



Dimension

Model	Bore	A	B	C	D
JAL1000	M5	81.5	25.5	25	-
JAL2000	1/8 - 1/4	126.5	45.5	40	40
JAL3000	1/4 - 3/8	142	38	53	53
JAL4000	3/8 - 1/2	177	41	70	70
JAL4000-06	3/4	177	39	70	70
JAL5000	3/4 - 1	254	45	90	90

FRL
AC, BC
AFC, BFC
AF, BF
AR, BR
AFR, BFR
AL, BL
JAC
JAF
JAR
JAW
JAL
JIC
X-FE
FE
GC
ZVR10
PTH
JAD
DPS

X-FE Series

Air Filter Combination (2 Combination)

Valvo
Group

FRL
AC, BC
AFC, BFC
AF, BF
AR, BR
AFR, BFR
AL, BL
JAC
JAF
JAR
JAW
JAL
JC
X-FE
FE
GC
ZYR10
PTH
JAD
DPS



X-FRC



X-LFR

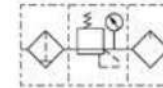


X-LR

Ordering Code

X-FRC	3/4	7	5M	O	MAXI	A
Standard	Port Size	Pressure Range	Filter Range	Gauge	Size	Drain Type
X-FRC: 2 Combination	G1/8	Blank: 0.5 ... 12 bar	Blank: 40 µm	Blank: With Gauge	MINI: Mini	Blank: Hand
X-LFR: Filter regulator	G1/4	7: 0.5 ... 7 bar	5M: 5µm	O: Without Gauge	MIDI: Mid	H: Semi Automatic
X-LR: Regulator	G3/8				MAXI: Max	A: Automatic
X-LF: Filter	G1/2					
X-LOE: Lubricator	G3/4					
	G1					

Symbol



Specification

Specification	Mini			Midi			Maxi		
Port Size	G1/8	G1/4	G3/8	G3/8	G1/2	G3/4	G3/4	G1	
Working Medium	Compressed Air								
Structure Features	Filter regulator, with/without gauge proportional Lubricator								
Install Way	By Accessories Tube								
Install Position	Vertical ±5°								
Regulator Lock	Rotary handle, with lock Rotary handle, with itergrated locks								
Filter Class [µm]	5 or 40								
Max Hysteresis [bar]	0.2								
Preessure Range [bar]	0.5 ... 7 0.5 ... 12								
Preessure Display	By Gauge								
Water Capacity [cm ³]	G1/8 Preset 22			G1/4 Preset 43			G1/4 Preset 80		
Input Pressure [bar]									
Water	Hand	1 ... 16							
Exhaust	Semi Automatic	1.5 ... 16							
	Automatic	2 ... 12							