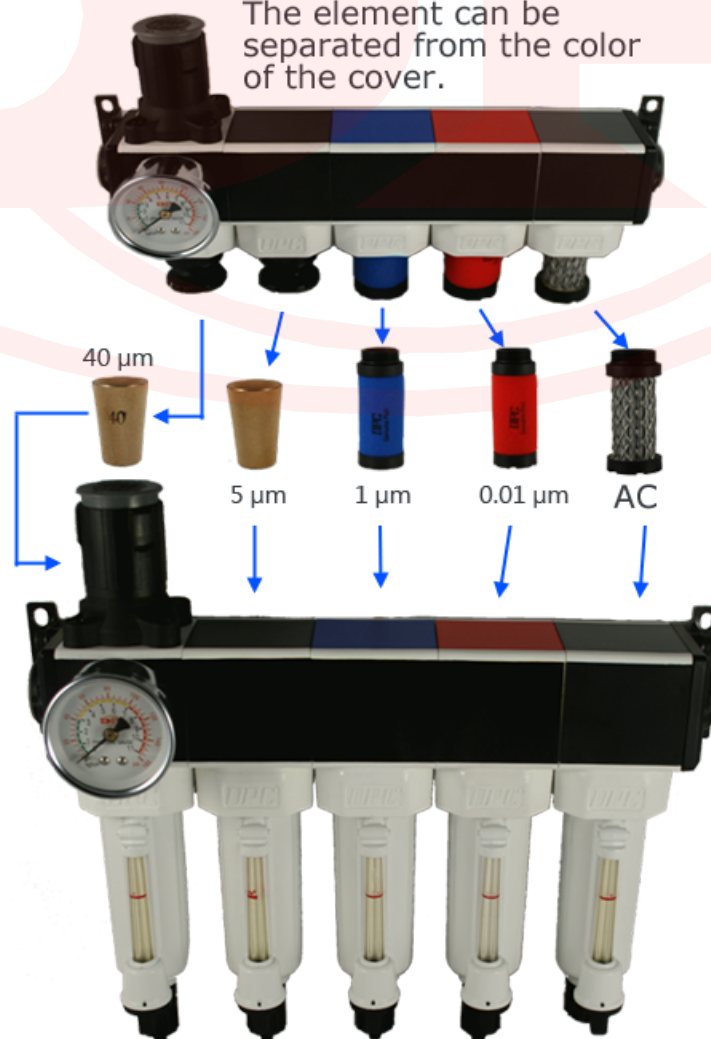




## MFC/MFS

The element can be separated from the color of the cover.



# Specifications

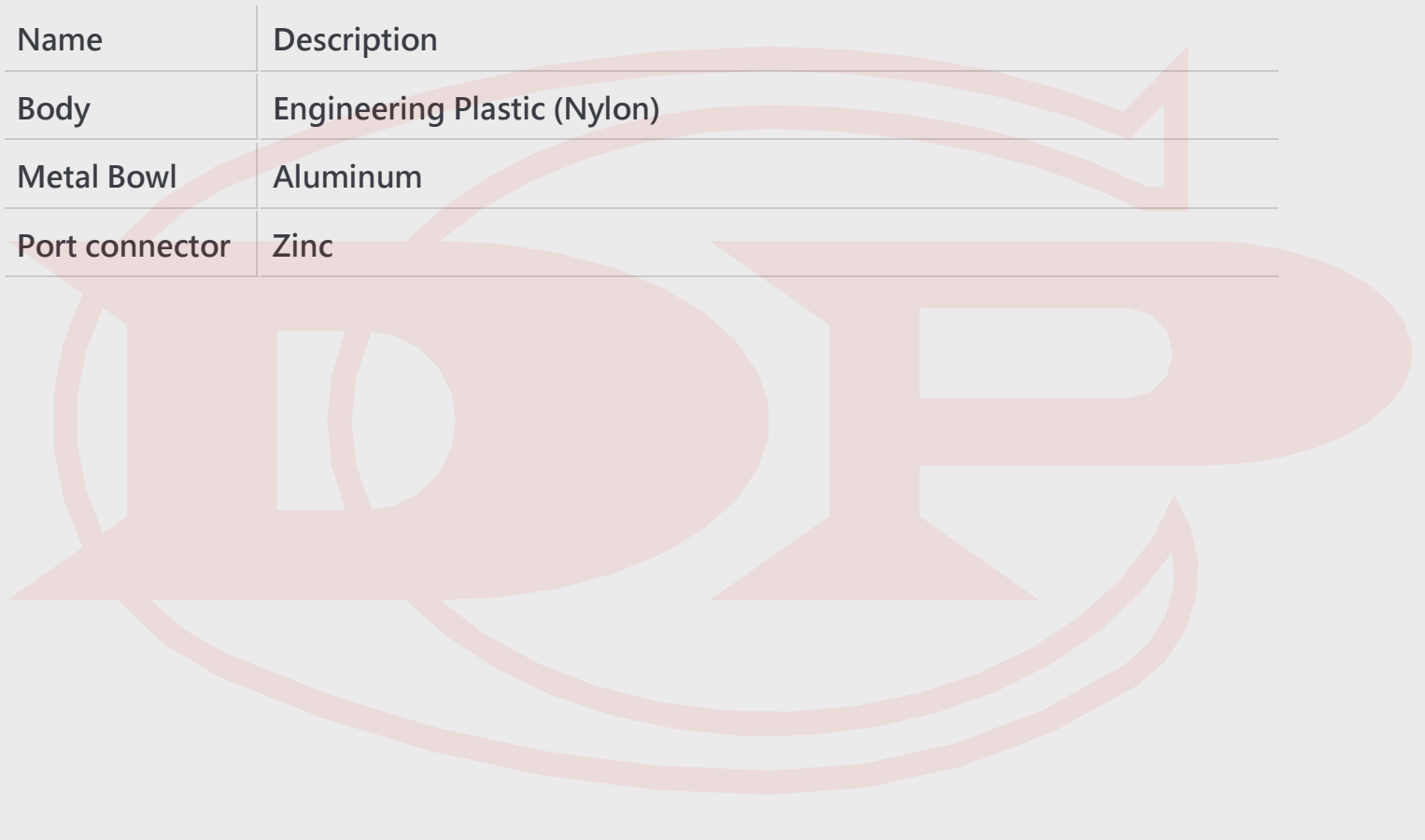
---

Port size	1/4" , 3/8" , 1/2" , 3/4" , 1"
Port size of pressure gauge	1/4"
Max. supply pressure	10 bar
Operating pressure range	1.5 ~7 bar
Ambient and media temperature	5 - 60 °C

# Material

---

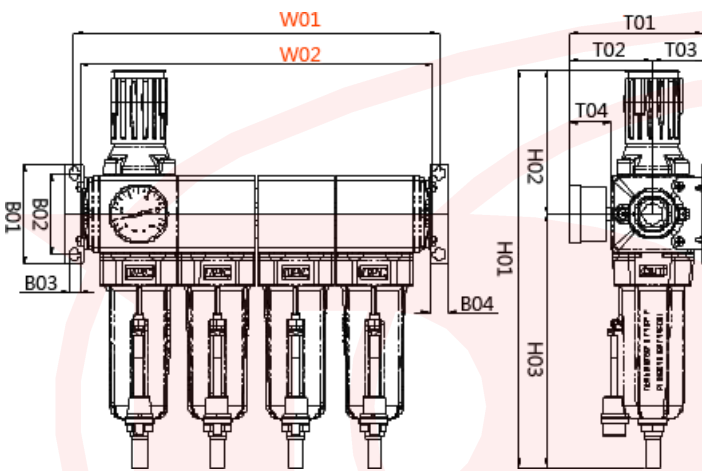
Name	Description
Body	Engineering Plastic (Nylon)
Metal Bowl	Aluminum
Port connector	Zinc



▶ MFC

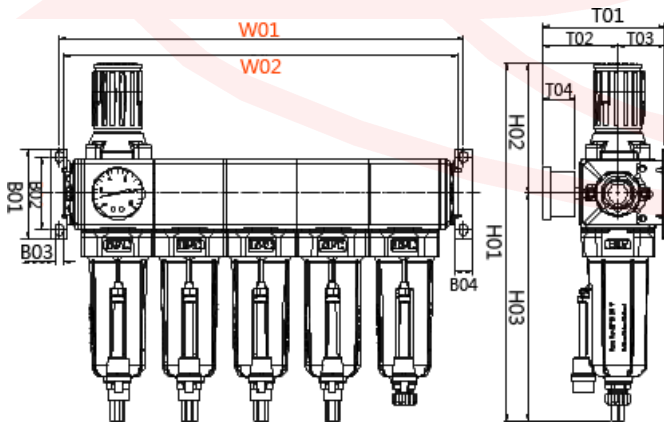


▶ MFC



	W01	W02	H01	H02	H03	T01	T02
MFC3	247.5	240.5	266	90	176	98.5	63.5
MFC5	317	306.5	345	125	220	119	72

	T03	T04	B01	B02	B03	B04
MFC3	35	36	63	50	6.5	12
MFC5	47	36	96	78	8.5	16



	W01	W02	H01	H02	H03	T01	T02
MFC3	300	292	266	90	176	98.5	63.5
MFC5	385	375	345	125	220	119	72

	T03	T04	B01	B02	B03	B04
MFC3	35	36	63	50	6.5	12
MFC5	47	36	96	78	8.5	16

FENG TIAN INDUSTRIAL CO., LTD.

CHING MEI ELECTRICAL MACHINE INDUSTRIAL CO., LTD.

HUANG SHIANG SHANGHAI PNEUMATIC INC.

Copyright © 2015 DPC Ind.

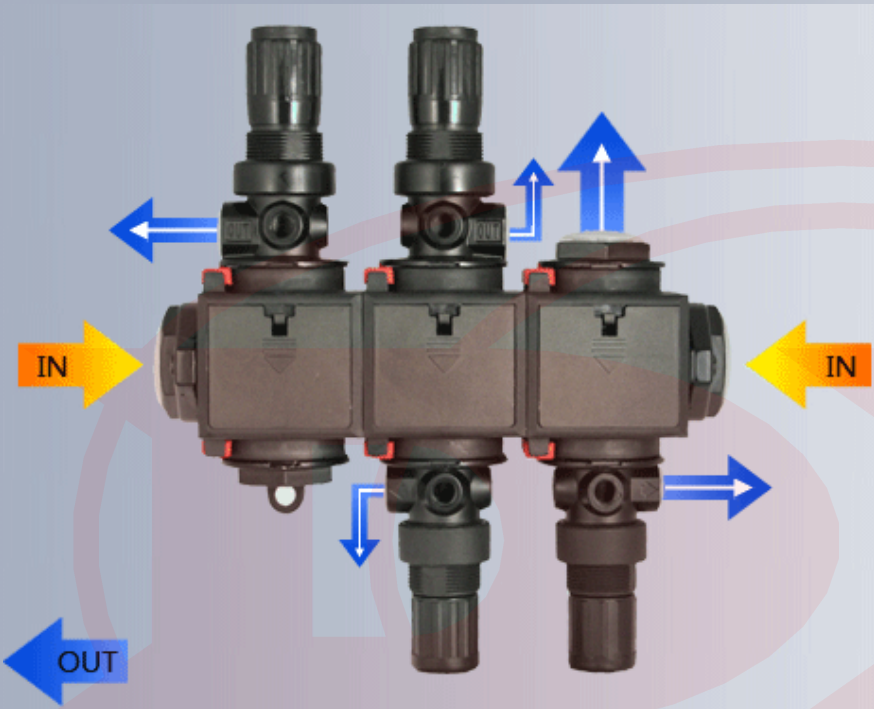


dpc@dpc.com.tw

# PRODUCT

## FCU

New Modular Design.  
Easy to Combination with higher  
quality. Reduce the Cost & Space.



Main Body



R2 (1/8" 1/4")



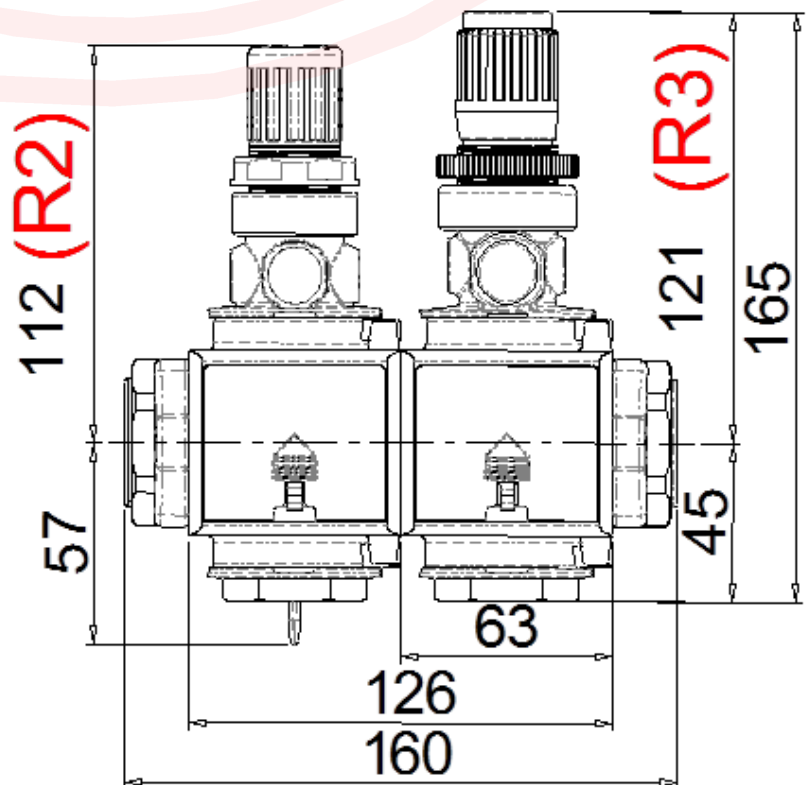
R3 (1/4" 3/8")



Off Connector



3/4" Connector



# Specifications

Port size	1/2" , 3/4" , 1"
Port size of pressure gauge	1/8"
Max. supply pressure	10 bar
Operating pressure range	0.5-7 bar
Ambient and media temperature	5 - 60 °C

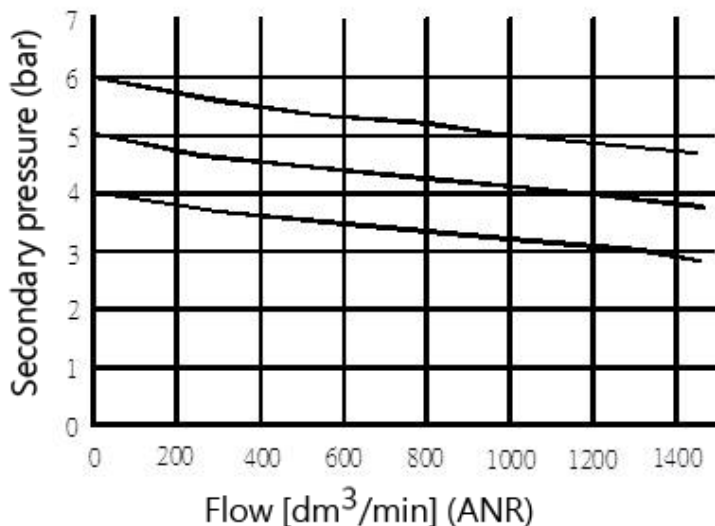
# Material

Name	Description
Main Body	Engineering Plastic (Nylon)
R2 / R3 Body	Zinc
Off Connector	Zinc
3/4" Connector	Zinc

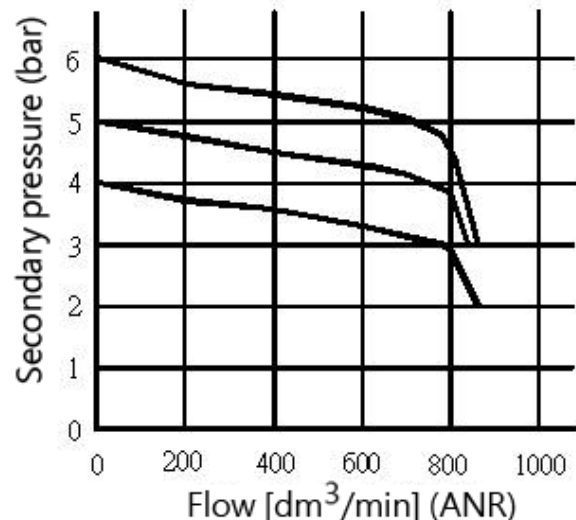
# Flow Characteristics

Supply pressure: 8 bar

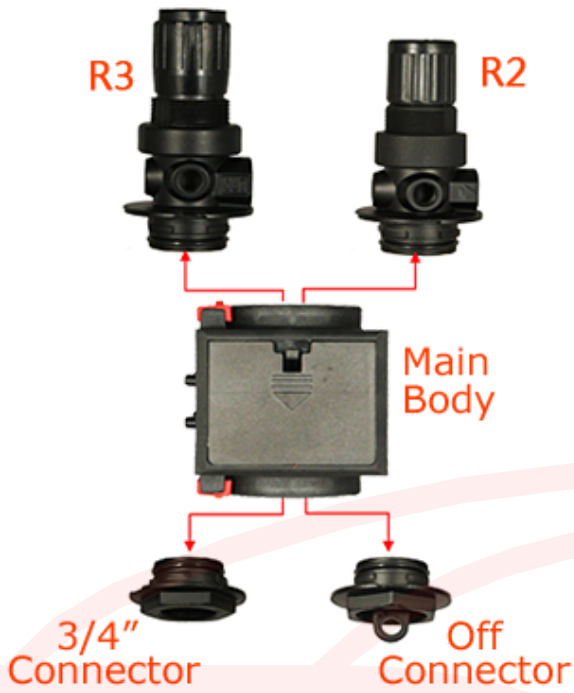
R3 3/8"



R2 1/4"



▶ Unique Mode of Combination

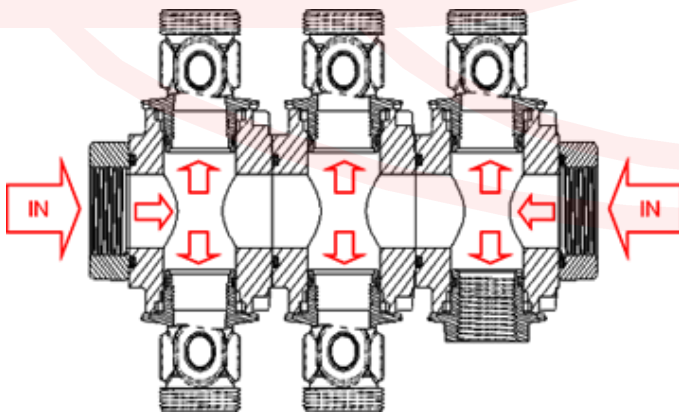


▶ According to the customer's required, the outlet way can be changed.



NOTED: When the red point has been pressed down, and the gas exhaust couldn't stop. DO NOT WORK ANYMORE. (DANGER)

▶ Big inside design to make sure the high flow rate.



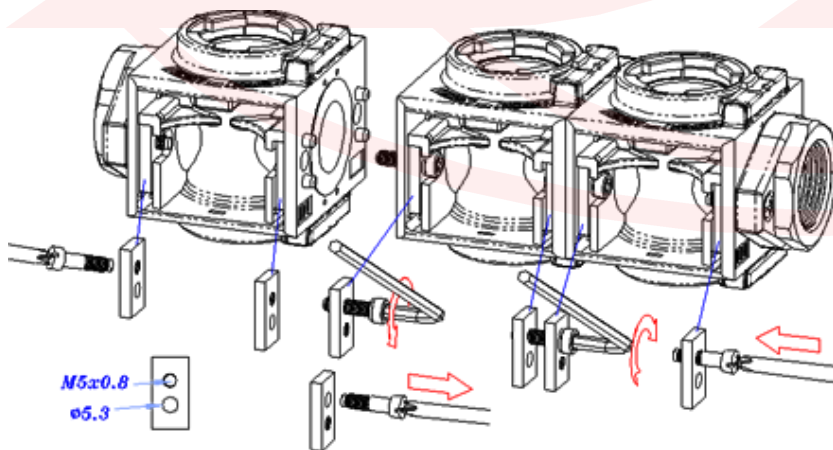
▶ Modular design. Reduce the space of combination.



▶ Easy to combination. Reduce the cost of combination.



▶ No connector design, reduce the damage of miss from the wrong combination.





PAL - 300

PAL - 500

# PAL

## Product description

---

- › Modular design.
- › The body material is engineering plastic that has well character for chemical and fatigue resistance.
- › It can be used in different environment, like as boreal area, chemical environment and clean room etc...
- › The port size depends on the connectors, which are easy changed and can reduce the stock cost.
- › Diaphragm design with high flow capacity.
- › Lubricator can be filled under pressure.



# Specifications

Series	PAL-300	PAL-500
Port size	1/4" , 3/8" , 1/2"	1/2" , 3/4" , 1"
Port size of pressure gauge	1/4"	
Max. supply pressure	10 bar	
Operating pressure range	0.5-7 bar	
Ambient and media temperature	5 - 60 °C	
Filtration	40 µm	
Oil mist removal rate	ISO VG32	
Bowl capacity (Filter)	45 c.c.	140 c.c.
Bowl capacity (Lubricator)	100 c.c.	275 c.c.
Standard drain type	Pressure differential auto-drain.(1)	Semi auto-drain(2)

1. The drain valve will open when the bowl pressure is less than the original setting; and will close while the bowl pressure reaches the original setting.
2. The semi auto drain will open while the pressure is under 0.7 bar, and close while the pressure is above 1.2 bar.

## Material

Name	Standard	Optional
Body	Engineering Plastic (Nylon)	
Bowl	Polycarbonate	Aluminum
Element	Bronze	

## Accessory

Name	Optional
Filtration	5 µm
Drain	Auto drain Manual drain
Gauge	Liquid filled pressure gauge

▶ PAL-300

▶ PAL-500



FR&L(M)  
Weight (KG)  
1.13 (PC Bowl)  
1.22 (Metal Bowl)



FRL(MM)  
Weight (KG)  
1.39 (PC Bowl)  
1.48 (Metal Bowl)



FR&L(M)  
Weight (KG)  
1.97 (PC Bowl)  
2.06 (Metal Bowl)



FRL(MM)  
Weight (KG)  
2.30 (PC Bowl)  
2.39 (Metal Bowl)



Filter & Regulator  
Weight (KG)  
0.77 (PC Bowl)  
0.82 (Metal Bowl)



Filter  
Weight (KG)  
0.50 (PC Bowl)  
0.55 (Metal Bowl)



Filter & Regulator  
Weight (KG)  
1.20 (PC Bowl)  
1.34 (Metal Bowl)



Filter  
Weight (KG)  
0.76 (PC Bowl)  
0.90 (Metal Bowl)



Lubricator  
Weight (KG)  
0.50 (PC Bowl)  
0.55 (Metal Bowl)



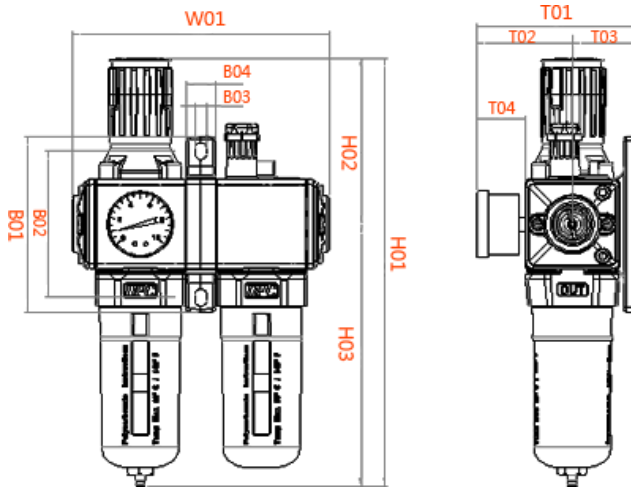
Regulator  
Weight (KG)  
0.63



Lubricator  
Weight (KG)  
0.73 (PC Bowl)  
0.87 (Metal Bowl)



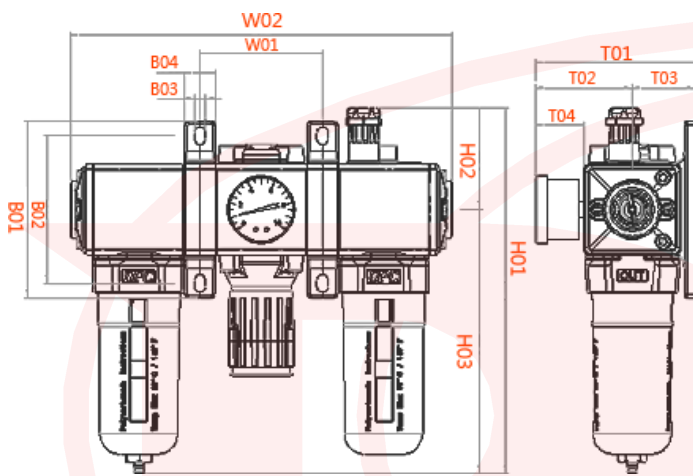
Regulator  
Weight (KG)  
0.97



(mm)	W01	H01	H02	H03	T01	T02
PAL300	159	249	90	159	98.5	63.5
PAL500	194	330	125	205	119	72

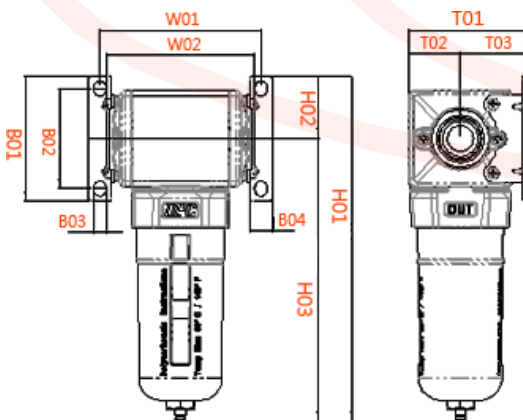
	T03	T04	B01	B02	B03	B04
PAL300	35	36	110	91	6.5	23
PAL500	47	36	132	110.5	8.4	23



(mm)	W01	W02	H01	H02	H03	T01	T02
PAL300	75.5	235	227	68	159	98.5	63.5
PAL500	91.5	286	281	76	205	119	72

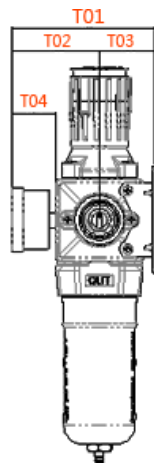
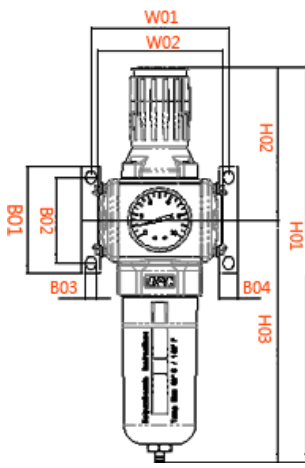
	T03	T04	B01	B02	B03	B04
PAL300	35	36	110	91	6.5	23
PAL500	47	36	132	110.5	8.4	23



(mm)	W01	W02	H01	H02	H03	T01	T02
PAL300	91	85	187.5	31.5	156	62.5	27.5
PAL500	114	103	253	48	205	83	36

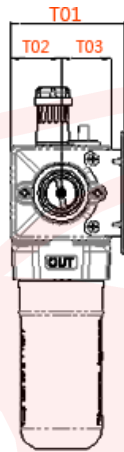
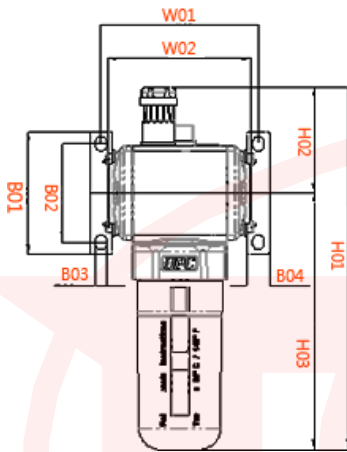
	T03	B01	B02	B03	B04
PAL300	35	63	50	6.5	12
PAL500	47	96	78	8.5	16



(mm)	W01	W02	H01	H02	H03	T01	T02
PAL300	91	85	249	90	159	98.5	63.5
PAL500	114	103	330	125	205	119	72

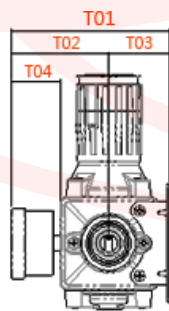
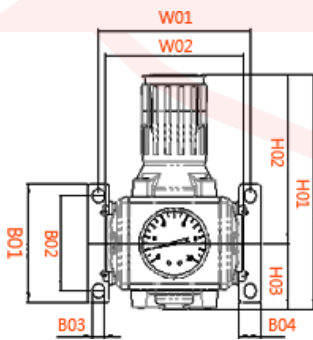
	T03	T04	B01	B02	B03	B04
PAL300	35	36	63	50	6.5	12
PAL500	47	36	96	78	8.5	16



(mm)	W01	W02	H01	H02	H03	T01	T02
PAL300	91	85	221	68	153	62.5	27.5
PAL500	114	103	269	76	193	83	36

	T03	B01	B02	B03	B04
PAL300	35	63	50	6.5	12
PAL500	47	96	78	8.5	16



(mm)	W01	W02	H01	H02	H03	T01	T02
PAL300	91	85	127	90	37	98.5	63.5
PAL500	114	103	174	125	49	119	72

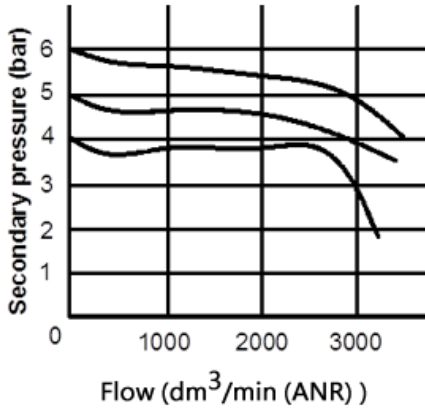
	T03	T04	B01	B02	B03	B04
PAL300	35	36	63	50	6.5	12
PAL500	47	36	96	78	8.5	16

# Flow Characteristics

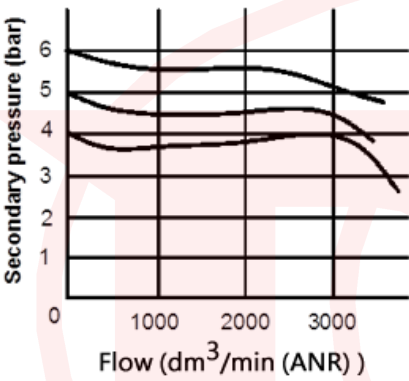
Supply pressure: 8 bar

## PAL-300 1/2"

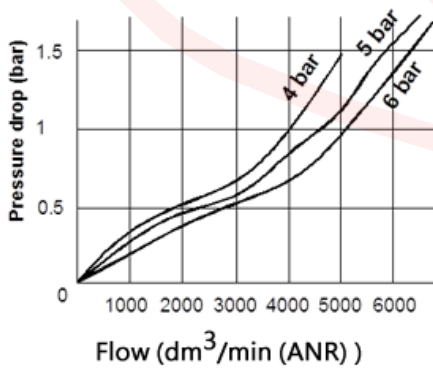
Filter & Regulator



Regulator

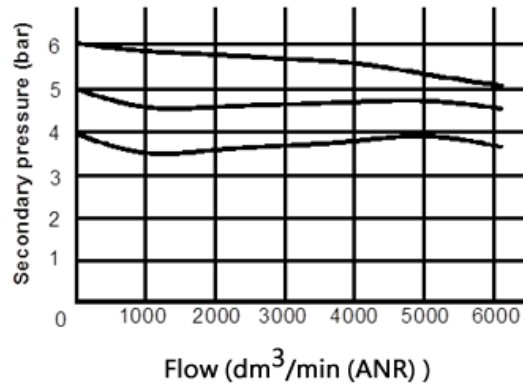


Lubricator

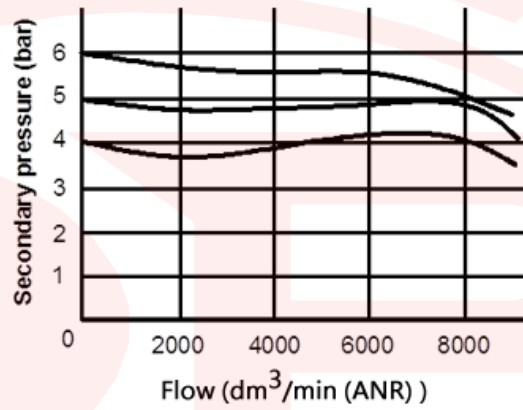


## PAL-500 1"

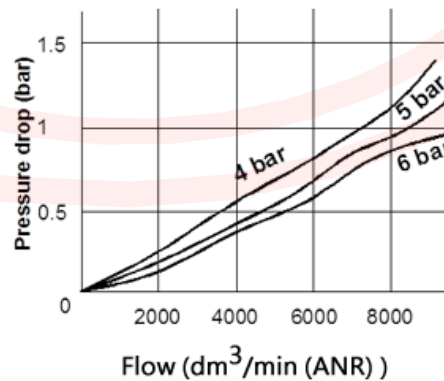
Filter & Regulator



Regulator



Lubricator





PA-600

## Product description

---

- Modular design. ◦
- The body material is engineering plastic that has well character for chemical and fatigue resistance.
- It can be used in different environment, like as boreal area, chemical environment and clean room etc...
- The port size depends on the connectors, which are easy changed and can reduce the stock cost.
- Diaphragm design with high flow capacity. ◦
- Lubricator can be filled under pressure.

# Specifications

Port size	3/8" , 1/2" , 3/4" , 1"
Port size of pressure gauge	1/4"
Max. supply pressure (bar)	10 (Standard) , 18 (Optional)
Operating pressure range (bar)	0.5-7 (Standard) 0.15-2 , 0.5-4 , 0.5-10 , 0.5-12 (Optional)
Ambient and media temperature	60 °C
Oil mist removal rate	ISO VG32
Bowl capacity (Filter)	55 c.c.
Bowl capacity (Lubricator)	160 c.c.

# Material

Name	Standard	Optional
Body	Engineering Plastic (Nylon)	
Bowl	Polycarbonate	Aluminum
Element	PE	Bronze

# Accessory

Name	Standard	Optional
Filtration	40 µm	5 µm, 1 µm
Drain	Semi-auto drain (1)	Auto drain Manual drain
Gauge		Liquid filled pressure gauge

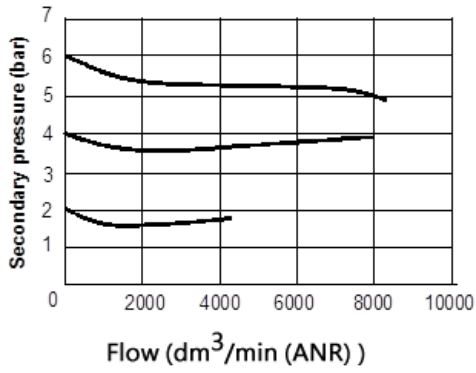
1. The semi auto drain will open while the pressure is under 0.7 bar, and close while the pressure is above 1.2 bar.

# Flow Characteristics

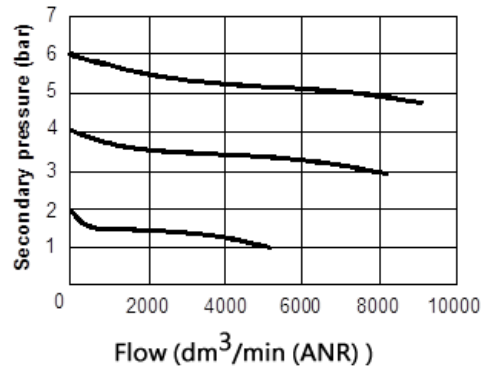
Supply pressure: 8 bar

Port size: 1/2"

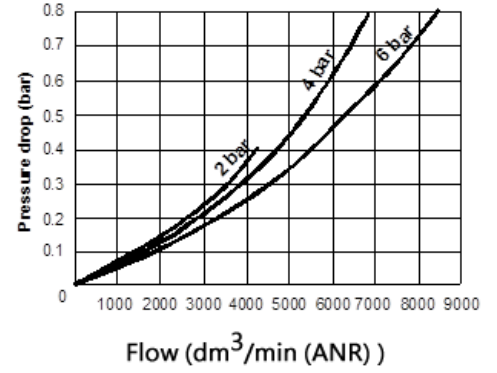
Filter & Regulator



Regulator



Lubricator

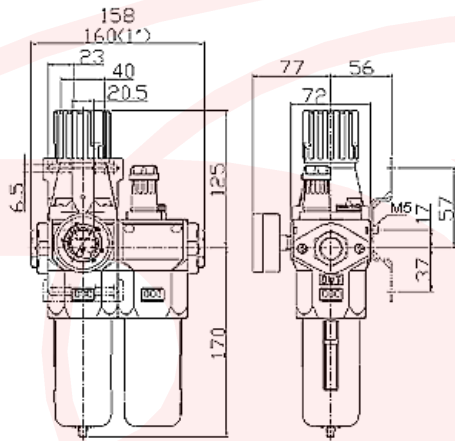


▶ Name / Dimensions(mm)



FR&L

Weight (KG)  
1.80 (PC Bowl)  
1.96 (Metal Bowl)

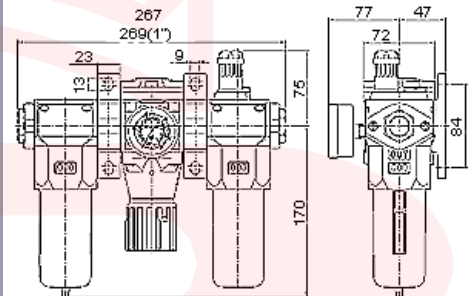


▶ Name / Dimensions(mm)



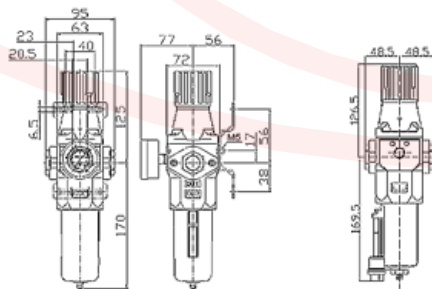
FRL(MM)

Weight (KG)  
2.35 (PC Bowl)  
2.51 (Metal Bowl)



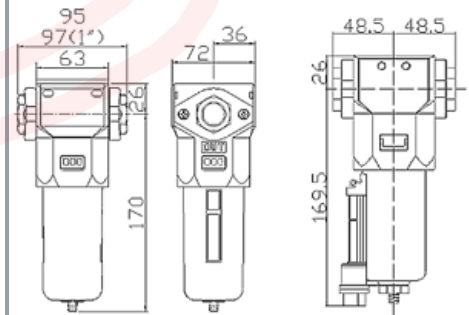
Filter & Regulator

Weight (KG)  
1.18 (PC Bowl)  
1.26 (Metal Bowl)



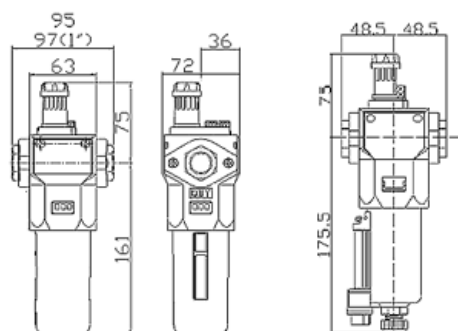
Filter

Weight (KG)  
0.64 (PC Bowl)  
0.72 (Metal Bowl)



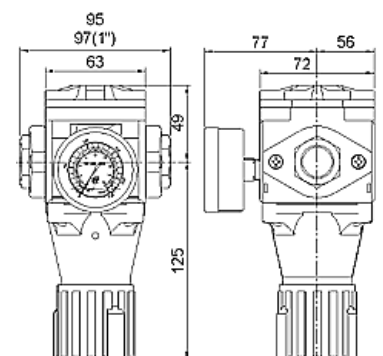
Lubricator

Weight (KG)  
0.63 (PC Bowl)  
0.71 (Metal Bowl)



Regulator

Weight (KG)  
1.08

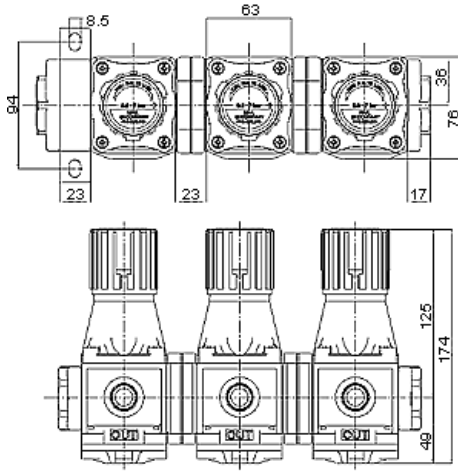




▶ Name / Dimensions(mm)



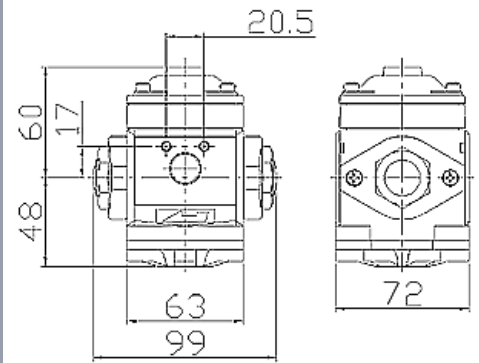
**Manifold Regulator**  
Weight (KG)  
1.17



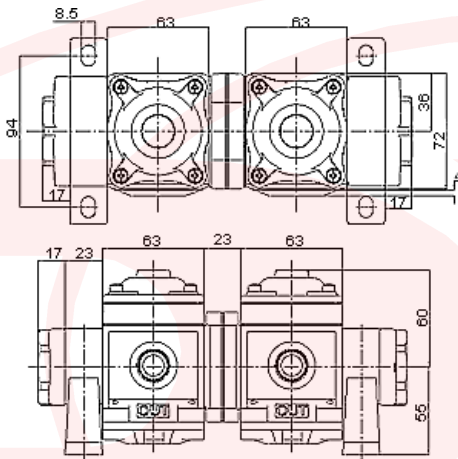
▶ Name / Dimensions(mm)



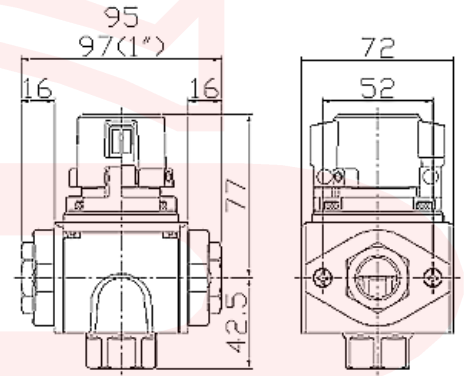
**Pilot operating Regulator**  
Weight (KG)  
0.80



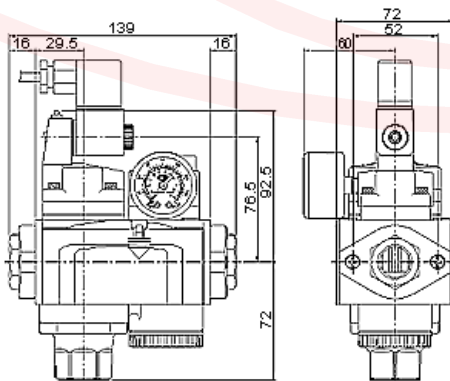
**Manifold pilot operating Regulator**  
Weight (KG)  
0.94



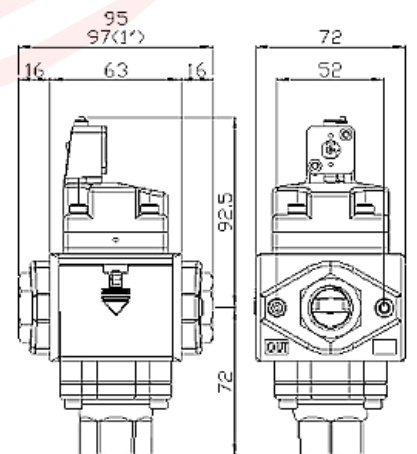
**Lockout Valve**  
Weight (KG)  
0.79



**Soft Start / Quick exhaust Valve**  
Weight (KG)  
1.09



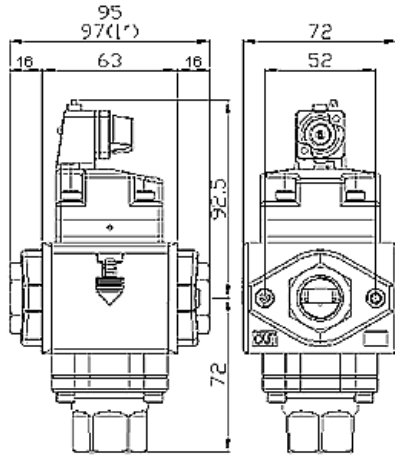
**Quick exhaust Valve**  
Weight (KG)  
0.75



▶ Name / Dimensions(mm)



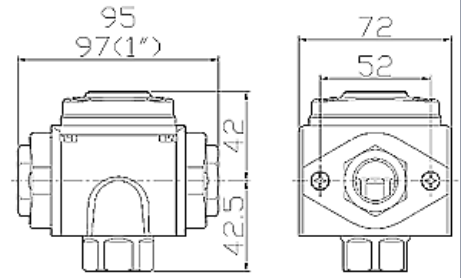
Pneumatic Quick exhaust Valve  
Weight (KG)  
0.74



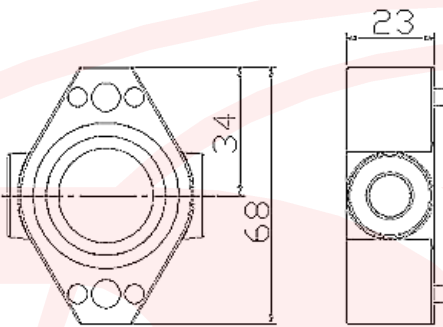
▶ Name / Dimensions(mm)



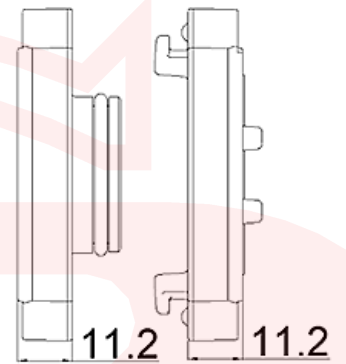
Distributor  
Weight (KG)  
0.69



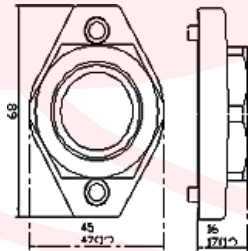
Distributor



Combine Connector



Port connector

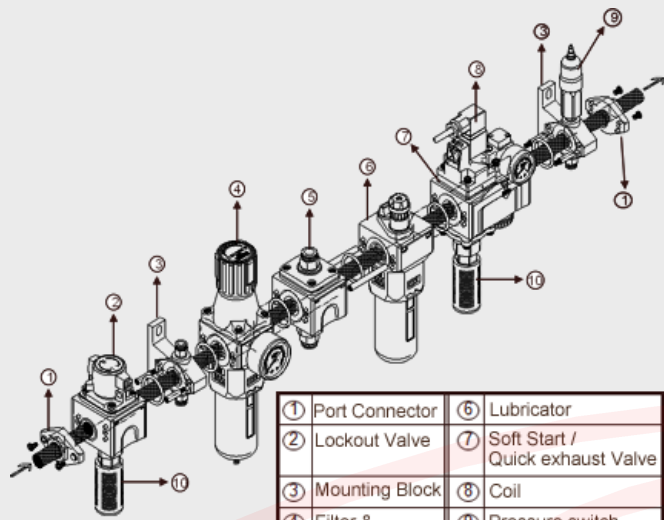


PC bowl & Guard

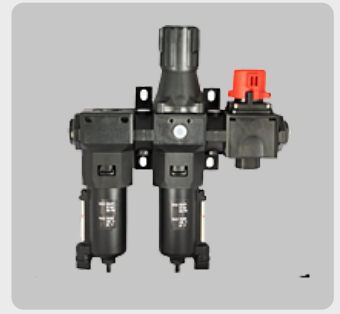
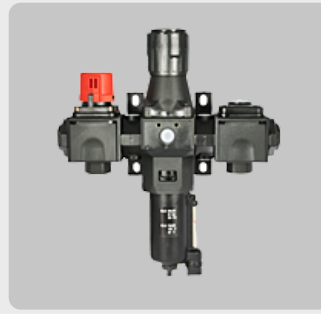


Metal Bowl

# Multiform modular combination



① Port Connector	⑥ Lubricator
② Lockout Valve	⑦ Soft Start / Quick exhaust Valve
③ Mounting Block	⑧ Coil
④ Filter & Regulator	⑨ Pressure switch
⑤ Distributor	⑩ Silencer



FENG TIAN INDUSTRIAL CO., LTD.

CHING MEI ELECTRICAL MACHINE INDUSTRIAL CO., LTD.

HUANG SHIANG SHANGHAI PNEUMATIC INC.

**DPC**

dpc@dpc.com.tw

# PRODUCT



## M-300

## Product description

---

- › Compact design.
- › Standard with pressure differential auto-drain.
- › Non-rising adjusting knob.
- › Available for 2 bar, 4 bar and 7 bar.
- › Relieving diaphragm design.
- › Lubricator can be filled under pressure.

# Specifications

---

Port size	1/4" , 3/8"
Port size of pressure gauge	1/8"
Max. supply pressure (bar)	10
Operating pressure range (bar)	0.5-7 (Standard) 0.15-2 , 0.5-4 (Optional)
Ambient and media temperature	5 ~ 60 °C
Oil mist removal rate	ISO VG32
Bowl capacity (Filter)	30 c.c.
Bowl capacity (Lubricator)	55 c.c.

# Material

---

Name	Description
Body	Zinc
Bowl	Polycarbonate
Mounting block	Nylon

# Accessory

---

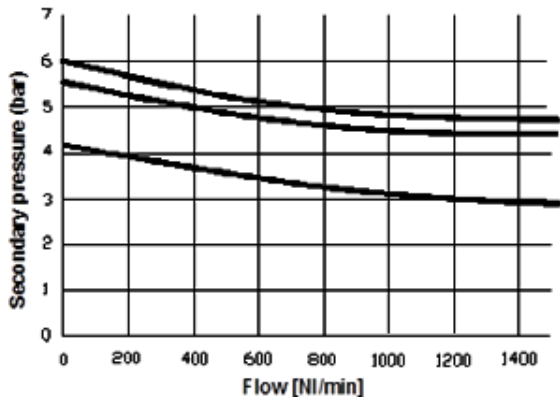
Name	Standard	Optional
Element	40 µm	5 µm
Drain	Pressure differential auto-drain	Semi-auto drain(1) Auto drain

1. The semi auto drain will open while the pressure is under 0.7 bar, and close while the pressure is above 1.2 bar.

# Flow Characteristics

Supply pressure: 10 bar

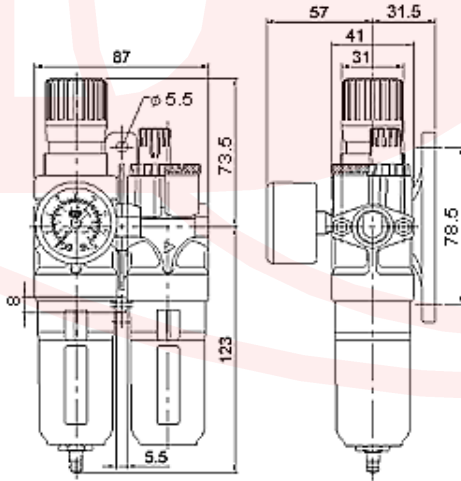
Regulator 1/4"



▶ Name / Dimensions (mm)



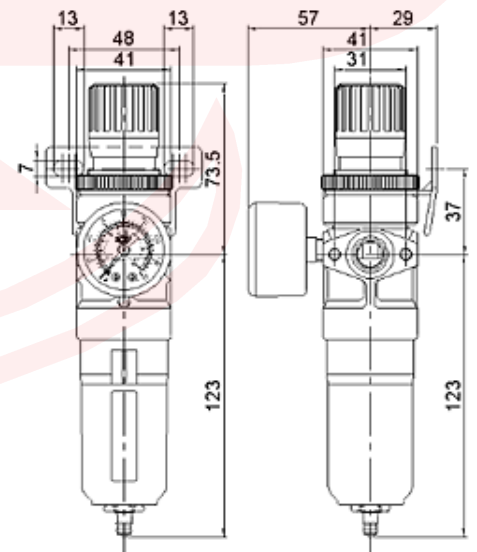
FR&L(M)  
Weight (KG)  
0.67



▶ Name / Dimensions (mm)



Filter &  
Regulator  
Weight (KG)  
0.34

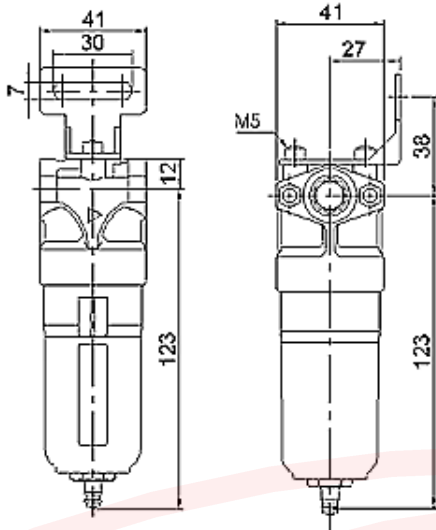


▶ Name / Dimensions (mm)



Filter

Weight (KG)  
0.21

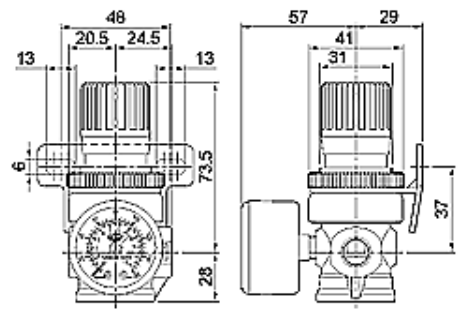


▶ Name / Dimensions (mm)



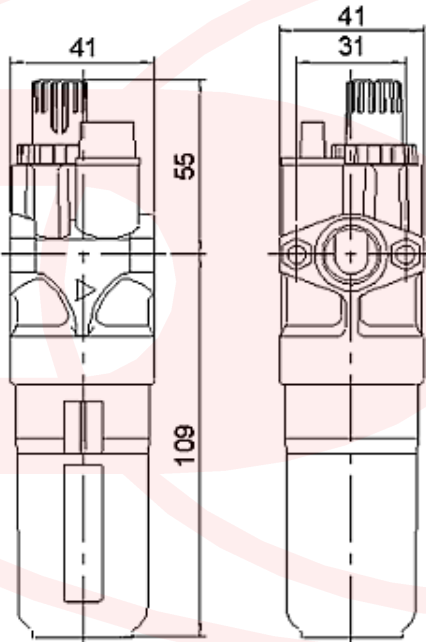
Regulator

Weight (KG)  
0.20




Lubricator

Weight (KG)  
0.26



**DPC**

 dpc@dpc.com.tw

# PRODUCT



## T-200

## Product description

---

- Ingenious design.
- Standard with semi-auto drain.
- Non-rising adjusting knob.
- Available for 2 bar, 4 bar and 7 bar.
- Relieving diaphragm design.
- Lubricator can be filled under pressure.



# Specifications

---

Port size	1/8" , 1/4"
Max. supply pressure (bar)	10
Operating pressure range (bar)	0.5-7 (Standard) 0.15-2 , 0.5-4 (Optional)
Ambient and media temperature	5 ~ 60 °C
Oil mist removal rate	ISO VG32
Bowl capacity (Filter)	22 c.c.
Bowl capacity (Lubricator)	42 c.c.
Weight	0.49 kg

# Material

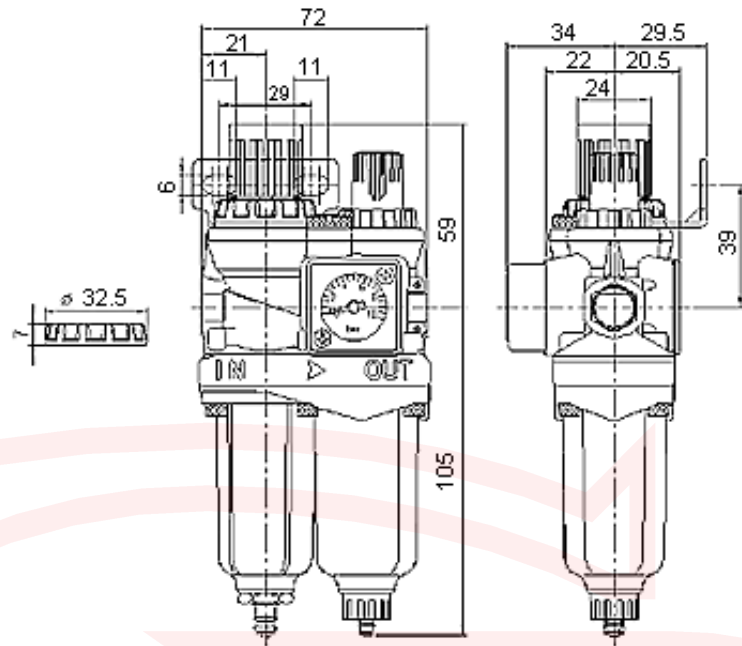
---

Name	Description
Body	Zinc
Bowl	Nylon

▶ Name / Dimensions (mm)



T-200  
Weight (KG)  
0.49



FENG TIAN INDUSTRIAL CO., LTD.

CHING MEI ELECTRICAL MACHINE INDUSTRIAL CO., LTD.

HUANG SHIANG SHANGHAI PNEUMATIC INC.

Copyright © 2015 DPC Ind.

**DPC**

dpc@dpc.com.tw

# PRODUCT



Regulator

Relief Valve

## S-200

### Product description - Regulator

- Compact design.
- Non-rising adjusting knob.
- Available for 2 bar, 4 bar, 7 bar and 10 bar.
- Relieving diaphragm design.

# Product description - Relief Valve

---

- Compact design.
- Non-rising adjusting knob.
- When circuit pressure is higher than setting one, the higher compressed air will be discharged quickly and set pressure will be maintained.

## Specifications

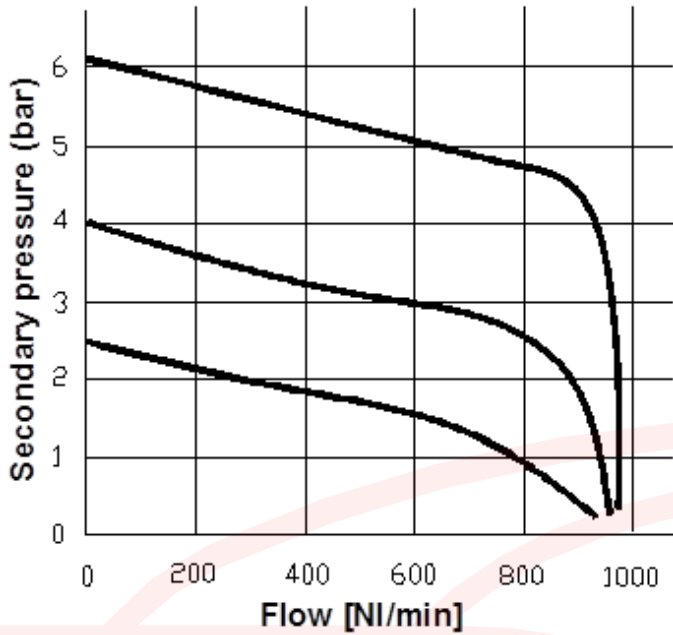
---

Name	Regulator	Relief Valve
Port size	1/8" , 1/4"	1/8" , 1/4"
Port size of pressure gauge	1/8"	
Max. supply pressure (bar)	21	
Operating pressure range (bar)	0.5-7 (Standard) 0.15-2 ; 0.5-4 ; 0.5-10 (Optional)	10
Ambient and media temperature	5 ~ 60 °C	
BodyMaterial	Zinc (Standard) Stainless, Bronze (Optional)	Zinc
Weight	0.17 kg	

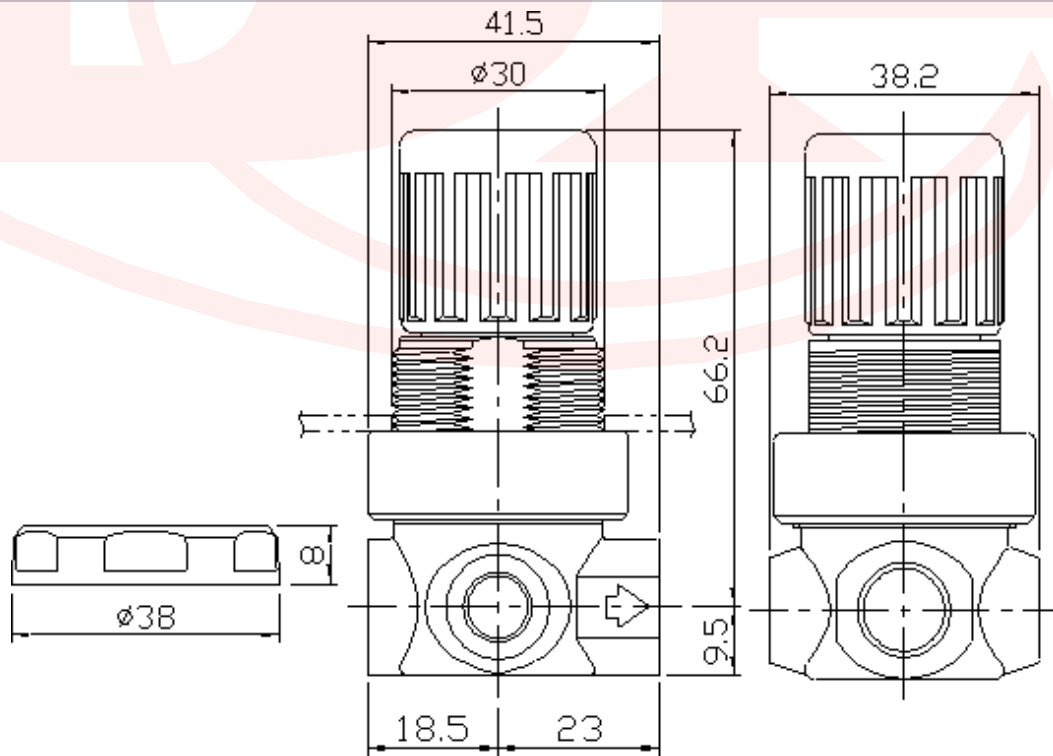
# S-200 Regulator Flow Characteristics

## Supply pressure:10 bar

Regulator 1/4"



### ▶ Dimensions (mm)



FENG TIAN INDUSTRIAL CO., LTD.

CHING MEI ELECTRICAL MACHINE INDUSTRIAL CO., LTD.

HUANG SHIANG SHANGHAI PNEUMATIC INC.

Copyright © 2015 DPC Ind.



dpc@dpc.com.tw

# PRODUCT



## K\*

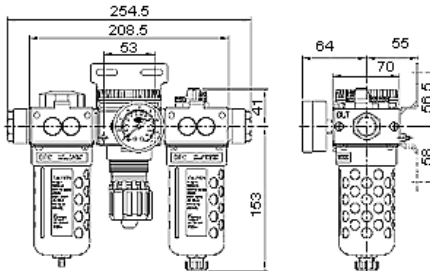
## Product description

- Modular design.
- Non-rising adjusting knob.
- Relieving piston design
- Lubricator can be filled under pressure.

## Specifications

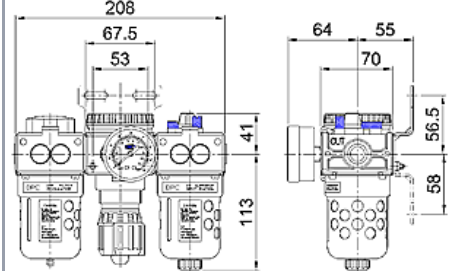
Name	K-856	KS-856
Port size	1/4" , 3/8" , 1/2"	
Port size of pressure gauge	1/4"	
Max. supply pressure (bar)	9.5	
Operating pressure range (bar)	0.5-7	
Ambient and media temperature	5 ~ 60 °C	
Filtration	40 μ (Standard) , 5μ(Optional)	
Oil mist removal rate	ISO VG32	
Bowl capacity (Filter)	90 c.c.	40 c.c.
Bowl capacity (Lubricator)	160 c.c.	90 c.c.

**K-856 / Dimensions (mm)**

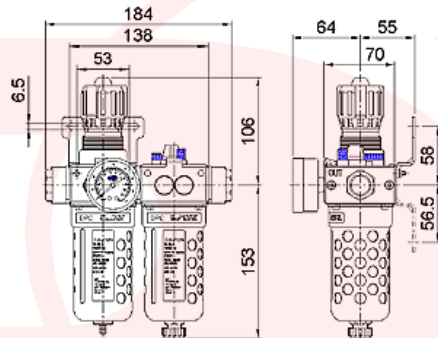


**FRL**  
Weight (KG)  
2.53  
2.78 (1/2")

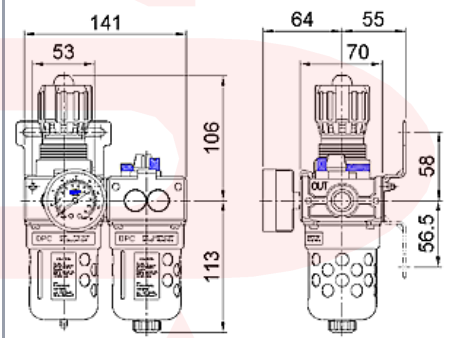
**KS-856 / Dimensions (mm)**



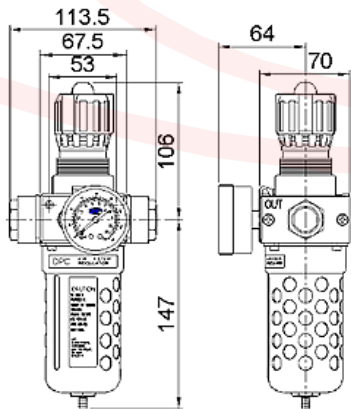
**FRL**  
Weight (KG)  
2.38  
2.63 (1/2")



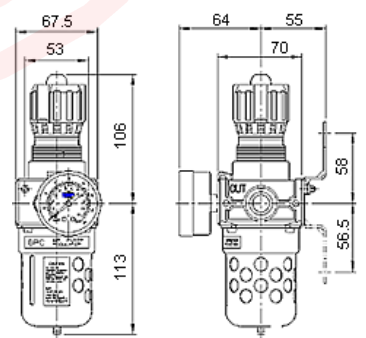
**FR&L**  
Weight (KG)  
1.75  
2.00 (1/2")



**FR&L**  
Weight (KG)  
1.60  
1.85 (1/2")



**Filter & Regulator**  
Weight (KG)  
0.98  
1.23 (1/2")

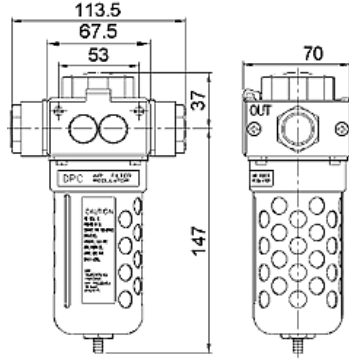


**Filter & Regulator**  
Weight (KG)  
0.91  
1.16 (1/2")

**K-856 / Dimensions (mm)**



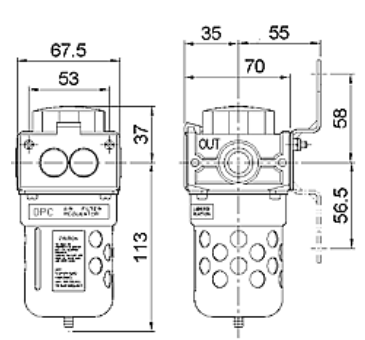
**Filter**  
Weight (KG)  
0.78  
1.03 (1/2")



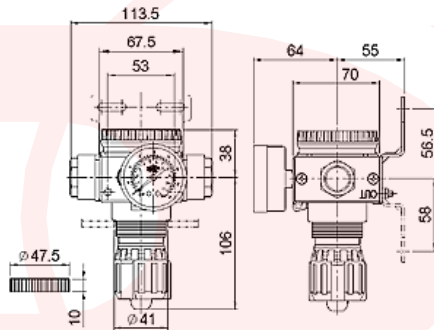
**KS-856 / Dimensions (mm)**



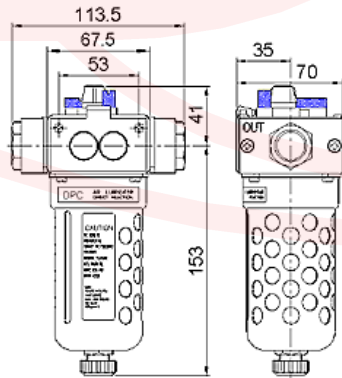
**Filter**  
Weight (KG)  
0.79  
1.04 (1/2")



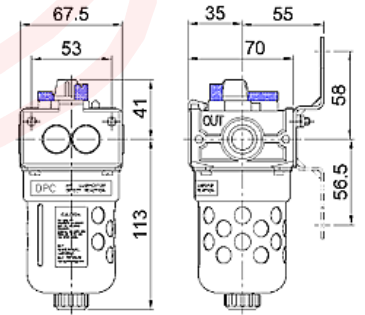
**Regulator**  
Weight (KG)  
0.70  
0.95 (1/2")



**Lubricator**  
Weight (KG)  
0.71  
0.96 (1/2")



**Lubricator**  
Weight (KG)  
0.64  
0.89 (1/2")







dpc@dpc.com.tw

# PRODUCT



P\*

## Product description

- Separate type.
- One touch design.
- Relieving diaphragm design.
- Lubricator can be filled under pressure.

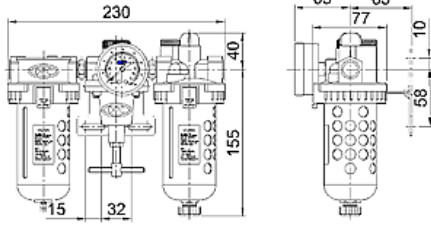
## Specifications

Name	P-796	P-803
Port size	1/4" , 3/8"	1/2" , 3/4"
Port size of pressure gauge		1/4"
Max. supply pressure (bar)		9.5
Operating pressure range (bar)		0.5-7
Ambient and media temperature		5 ~ 60 °C
Filtration	40 μ (Standard) , 5μ(Optional)	
Oil mist removal rate	ISO VG32	
Bowl capacity (Filter)	90 c.c.	150 c.c.
Bowl capacity (Lubricator)	160 c.c.	300 c.c.

▶ P-796 / Dimensions (mm)



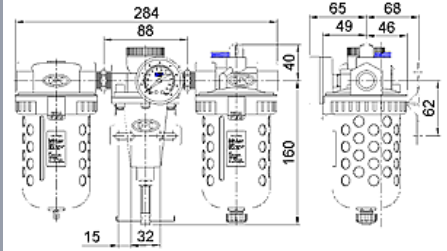
**FRL**  
Weight (KG)  
2.00



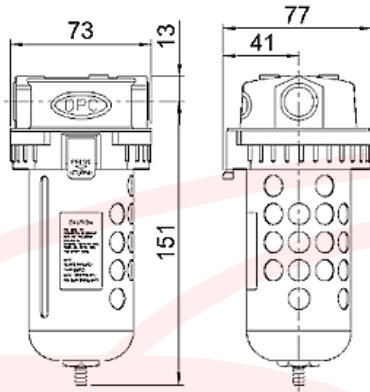
▶ P-803 / Dimensions (mm)



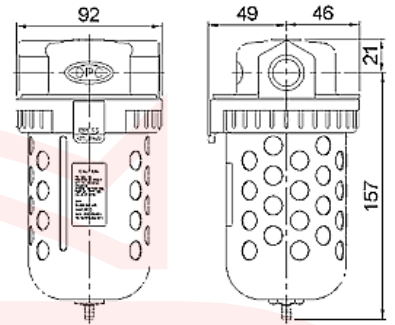
**FRL**  
Weight (KG)  
3.40



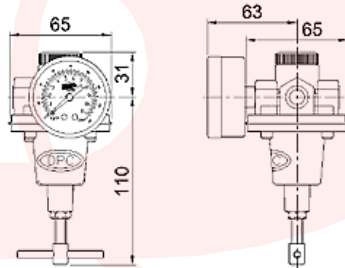
**Filter**  
Weight (KG)  
0.67



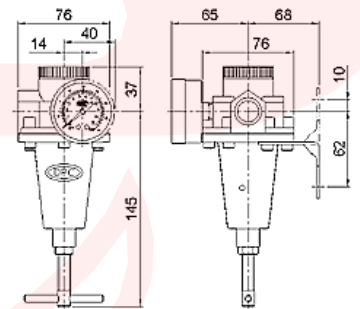
**Filter**  
Weight (KG)  
1.13



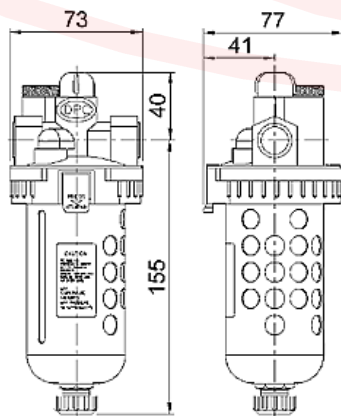
**Regulator**  
Weight (KG)  
0.58



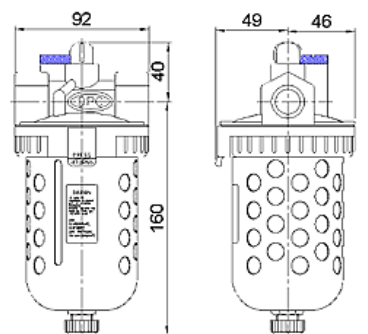
**Regulator**  
Weight (KG)  
1.02



**Lubricator**  
Weight (KG)  
0.69



**Lubricator**  
Weight (KG)  
1.18



**DPC**

dpc@dpc.com.tw

# PRODUCT



AD

## Product description

---

- > One touch design.
- > Polycarbonate and Nylon bowl can satisfy with customers' requirement.
- > Condensated water can be exhausted quickly.

# Specifications

---

Name	AD-200	AD-410	AD-710
Port size	3/8"	1/2"	
Bowl Material	Nylon	Polycarbonate (Standard) Nylon(Optional)	
Max. operating pressure	16 bar	10 kgf/cm <sup>2</sup> (Standard) 16 kgf/cm <sup>2</sup> (Optional)	
Ambient and media temperature	5 ~ 60 °C		

▶ Name / Dimensions (mm)

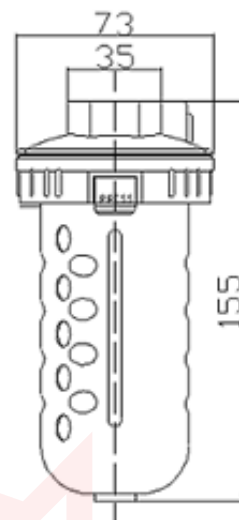


AD - 200  
Weight (KG)  
0.25

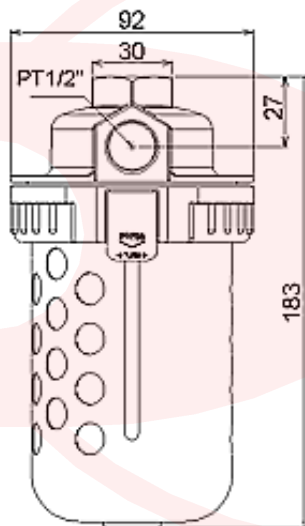
▶ Name / Dimensions (mm)



AD - 410  
Weight (KG)  
0.50



AD - 710  
Weight (KG)



**DPC**

dpc@dpc.com.tw

# PRODUCT



# DV

## Specifications

Name	DV-200	DV-400	DV-213	DV-410
Drain type	Auto with manual drain (1)		Auto drain	
Operating pressure range	1.5 ~ 16 kgf/cm <sup>2</sup>			
Ambient and media temperature	5 ~ 60 ° C			

# Specifications

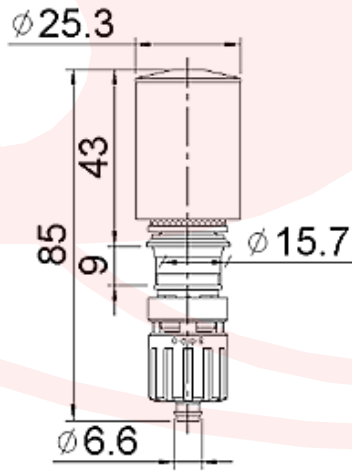
Name	DV-422	DV-425-3C	SDV-400	DVX-400
Drain type	Auto drain		Semi-auto drain(2)	Manual drain
Operating pressure range	1.5 ~ 16 kgf/cm <sup>2</sup>		0.7 ~ 18 kgf/cm <sup>2</sup>	
Ambient and media temperature	5 ~ 60 ° C			

- Operating direction :
 

DV-200

DV-400
- The semi auto drain will open while the pressure is under 0.7 bar, and close while the pressure is above 1.2 bar.

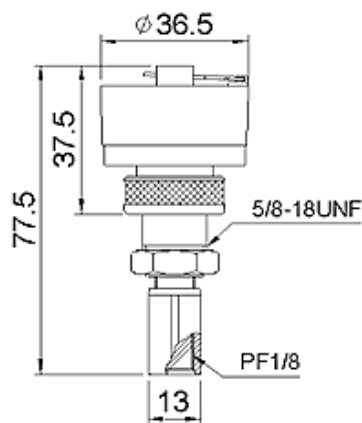
**DV 200 / Dimensions (mm)**



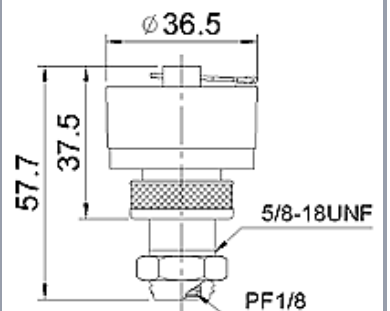
**DV 213 / Dimensions (mm)**



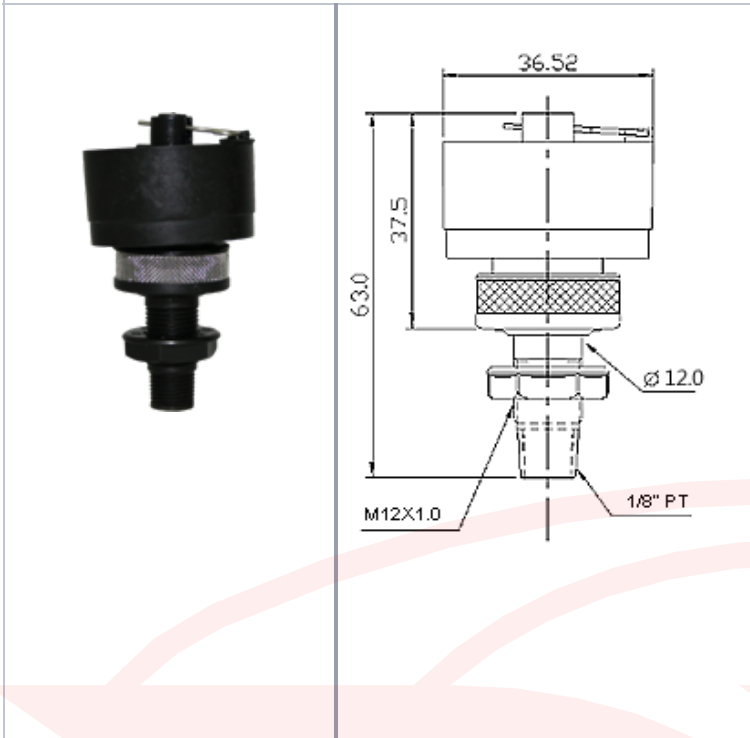
**DV 400 / Dimensions (mm)**



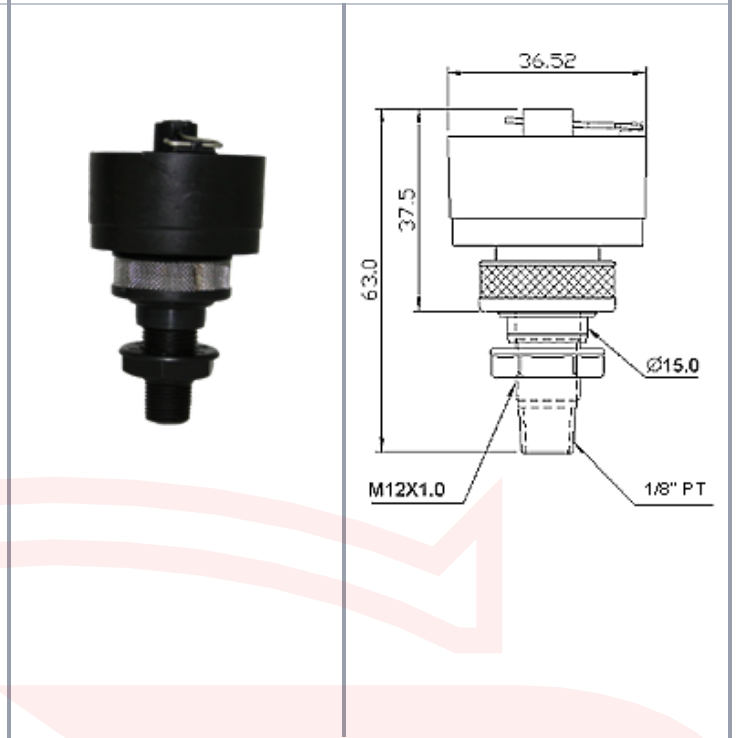
**DV 410 / Dimensions (mm)**



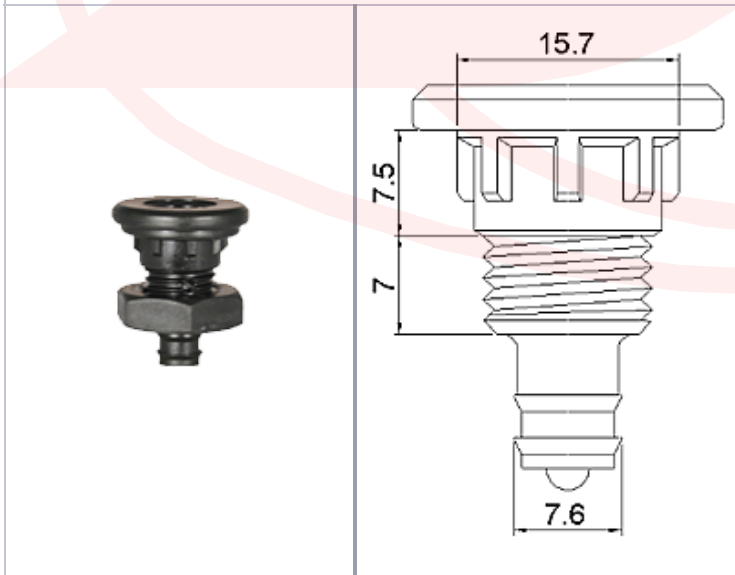
▶ DV 422 / Dimensions (mm)



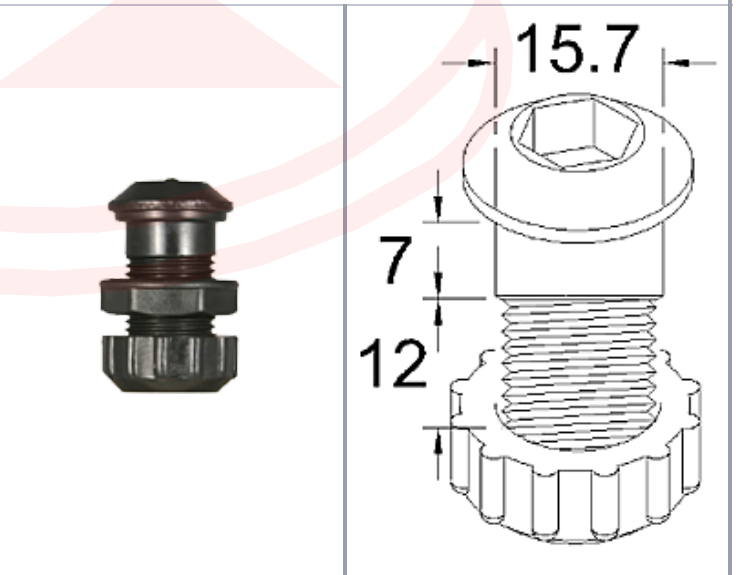
▶ DV 425-3C / Dimensions (mm)



▶ SDV 400 / Dimensions (mm)



▶ DVX 400 / Dimensions (mm)







dpc@dpc.com.tw

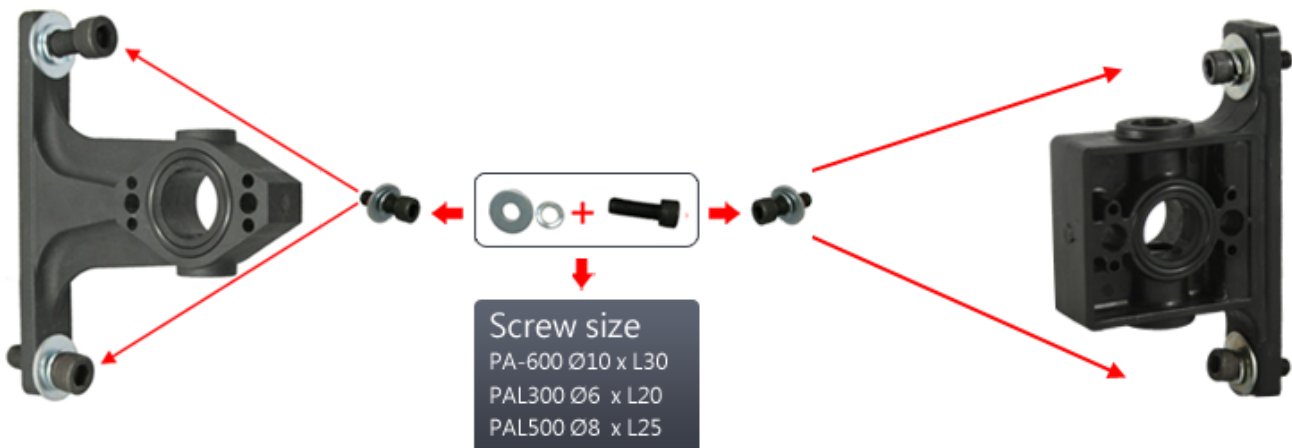
# PRODUCT



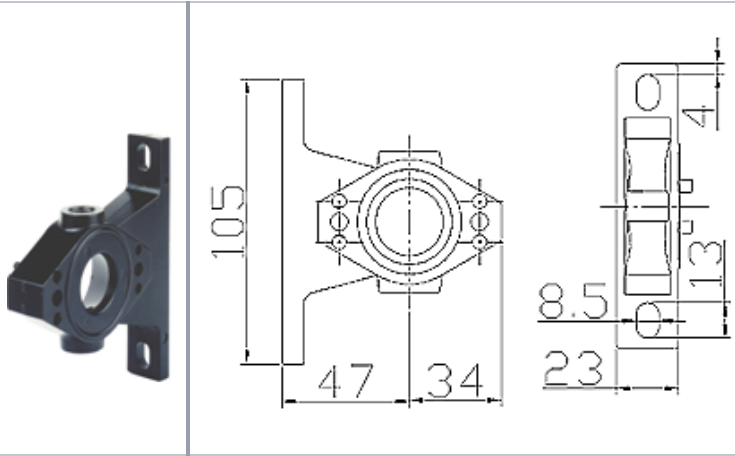
## Mounting Block

### Warning for Mounting Block Installation

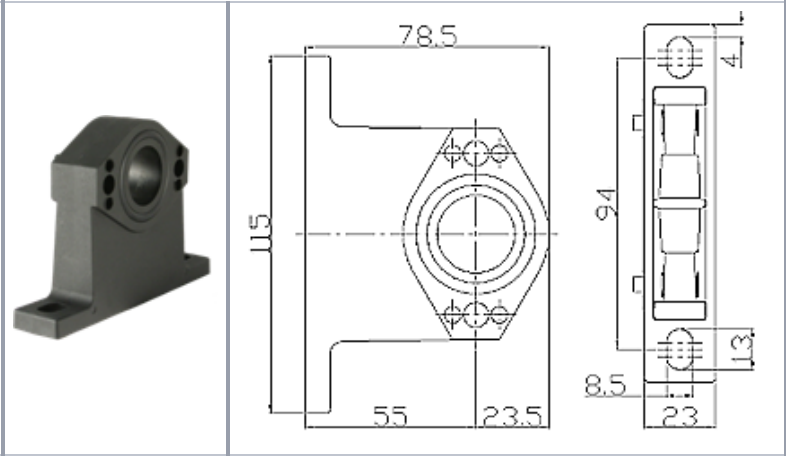
When installing the mounting block on the wall or machine, please use screw as mention and two extra washers like as the picture below.



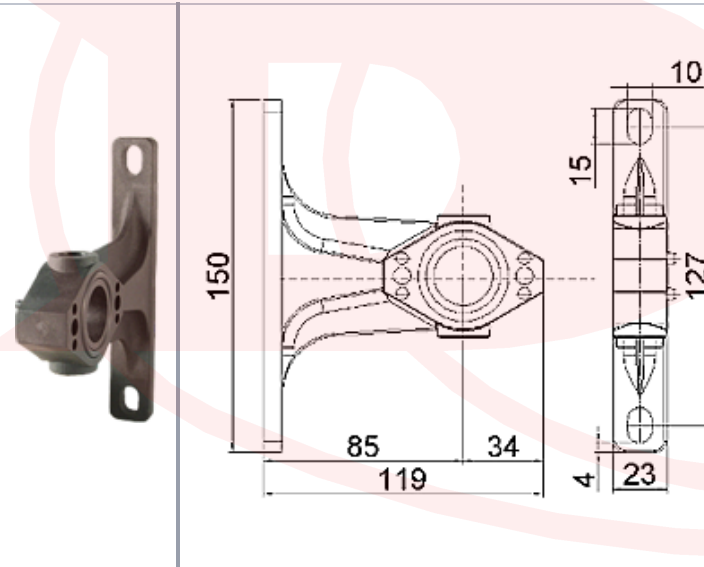
▶ S-G5-M01 -\* / Dimensions (mm)



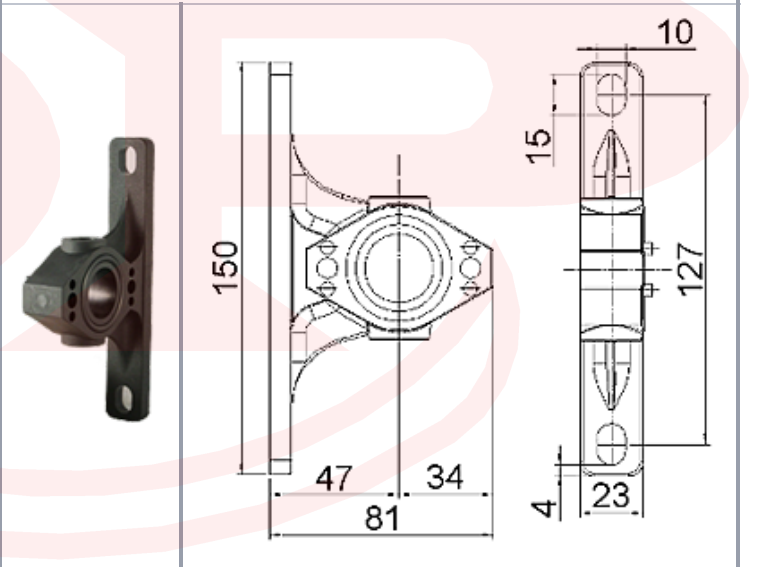
▶ S-PA6-M01 / Dimensions (mm)



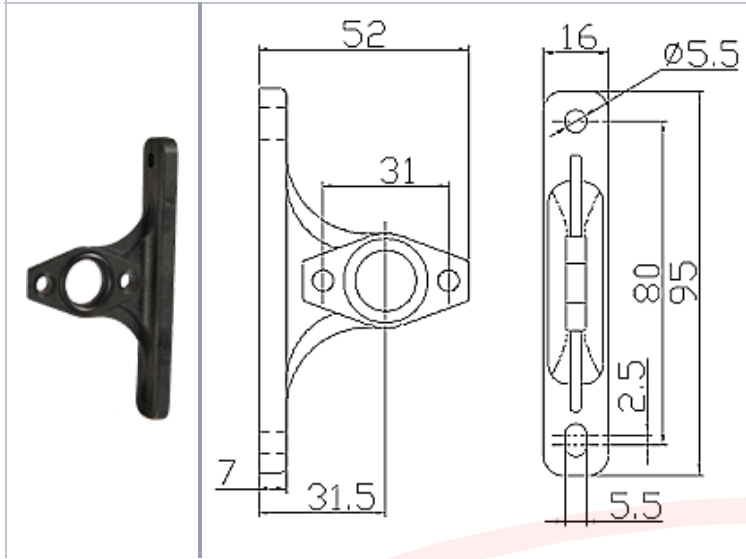
▶ S-PA6-M02-\* / Dimensions (mm)



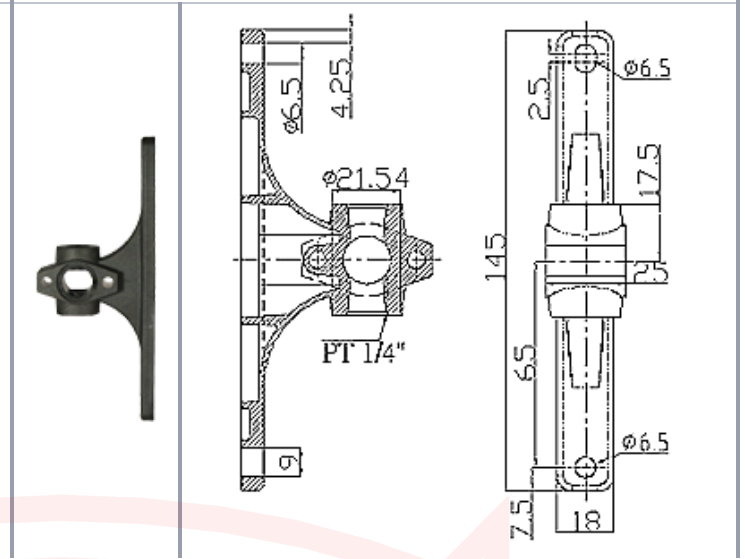
▶ S-PA6-M03-\* / Dimensions (mm)



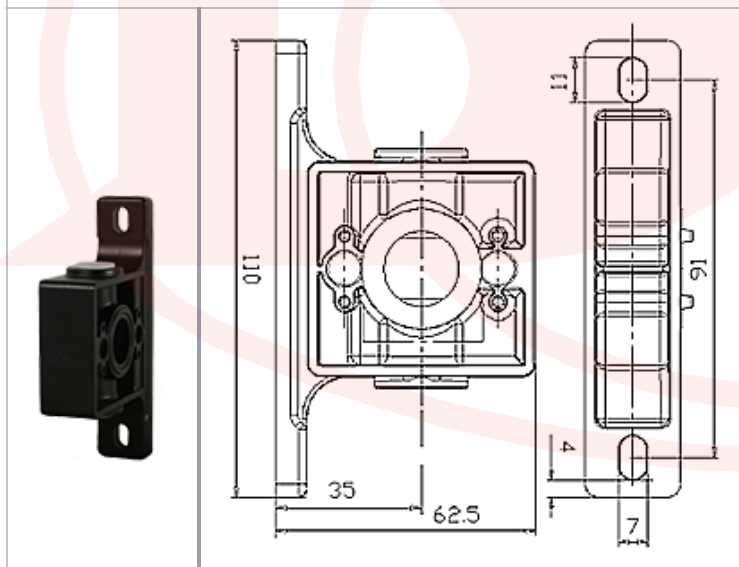
▶ S-M3-M01 / Dimensions (mm)



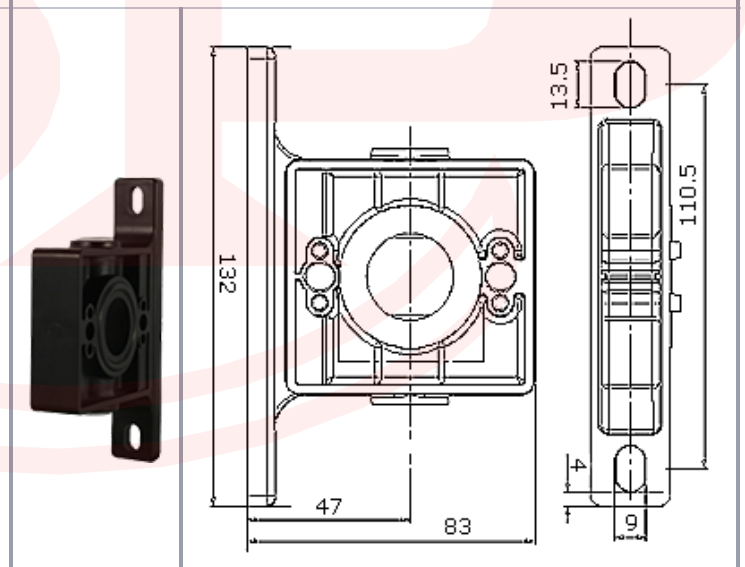
▶ S-M3-M02-\* / Dimensions (mm)



▶ S-PAL3-M01-\* / Dimensions (mm)



▶ S-PAL5-M01 -\* / Dimensions (mm)



\* 0 without extra port ; 1with two extra port (Standard, can be abbreviated from code) °