

## SOLENOID OPERATION (version 2,5 W)

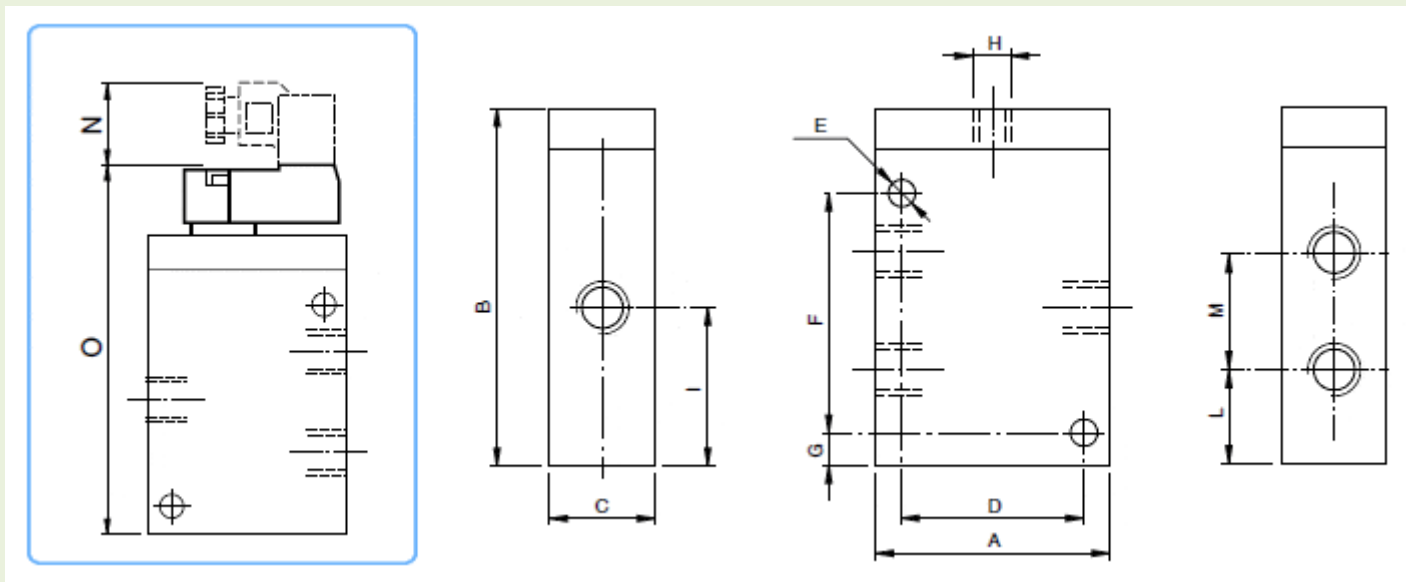


		Symbol	Size	Weight	Model	Dimensions
2/2 WAYS SINGLE STABLE POSITION	NC		1/8"	215	EH1A/8/F	A
			1/4"	280	EH1A/4/F	
			1/2"	630	EH1A/2/F	
	NA		1/8"	215	EH3A/8/F	
			1/4"	280	EH3A/4/F	
			1/2"	630	EH3A/2/F	
3/2 WAYS SINGLE STABLE POSITION	NC		1/8"	215	E1A/8/F	B
			1/4"	280	E1A/4/F	
			1/2"	630	E1A/2/F	
	NA		1/8"	215	E3A/8/F	
			1/4"	280	E3A/4/F	
			1/2"	630	E3A/2/F	
5/2 WAYS SINGLE STABLE POSITION			1/8"	315	E13A/8/F	C
			1/4"	550	E13A/4/F	
			1/2"	1265	E13A/2/F	

\* Available with external pilot - model PS



## A



SIZE	A	B	C	D	E	F mm	G	H	I	L	M	N	O
1/8"	40	70	20	29	4,25	33,5	11,5	1/8"	26	16	20	25	87
1/4"	50	80,5	25	34	5,25	39	14,5	1/8"	29,5	17,5	24	25	97
1/2"	70	99,5	35	50	6,25	54,5	15	1/8"	37	21	32	25	117

GROUP MODEL	Version
EH1A	F
EH3A	F
E1A	V/F
E3A	V/F

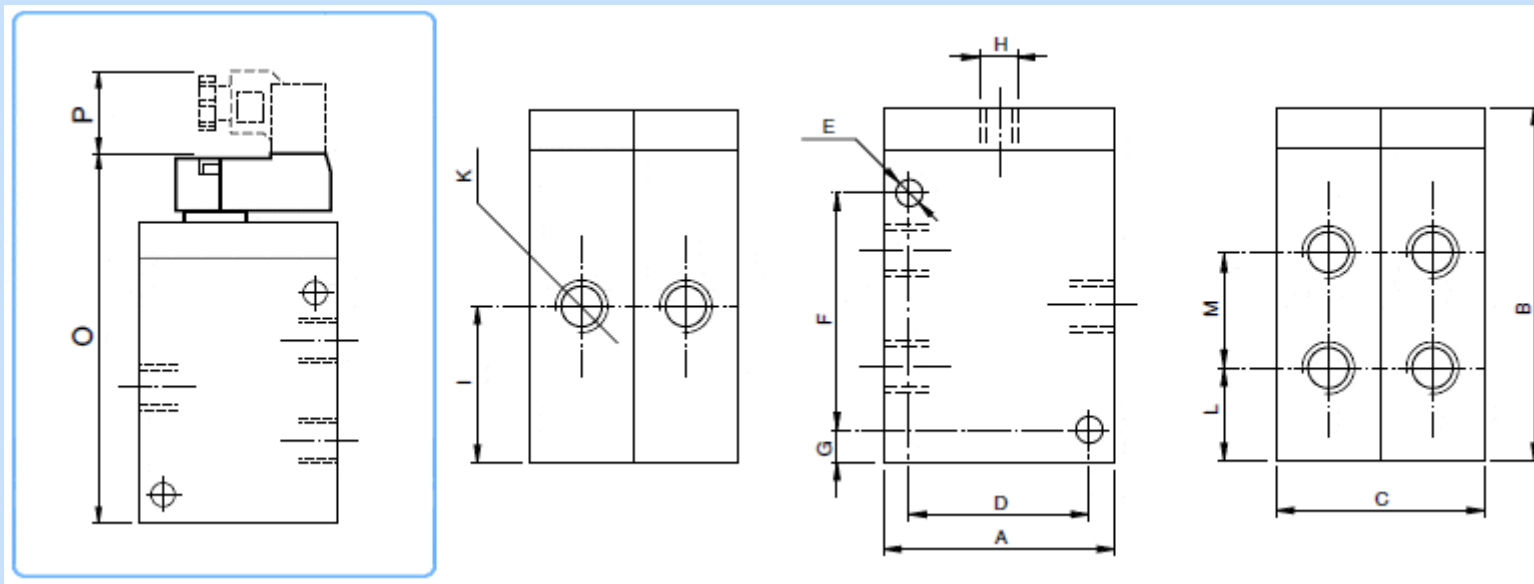
## B

SIZE	A	B	C	D	E	F mm	G	H	I	L	M	N	O
1/8"	40	70	20	29	4,25	33,5	11,5	1/8"	26	16	20	25	87
1/4"	50	80,5	25	34	5,25	39	14,5	1/8"	29,5	17,5	24	25	97
1/2"	70	99,5	35	50	6,25	54,5	15	1/8"	37	21	32	25	117

GROUP MODEL	Version
EH1A	F
EH3A	F
E1A	V/F
E3A	V/F



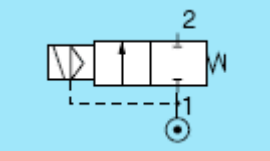
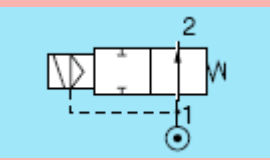
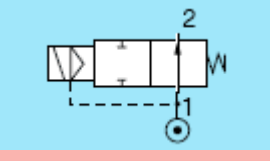
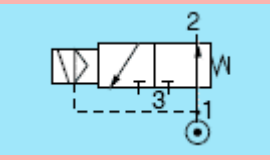
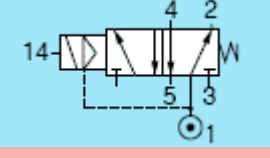
# C



SIZE	A	B	C	D	E	F mm	G	H	I	L	M	O	P mm	Model
1/8"	40	70	40	29	4,25	33,5	11,5	1/8"	26	16	20	87	25	E13A/8/F
1/4"	50	80,5	50	34	5,25	39	14,5	1/8"	29,5	17,5	24	97	25	E13A/4/F
1/2"	70	99,5	70	50	6,25	54,5	15	1/8"	37	21	32	117	25	E13A/2/F



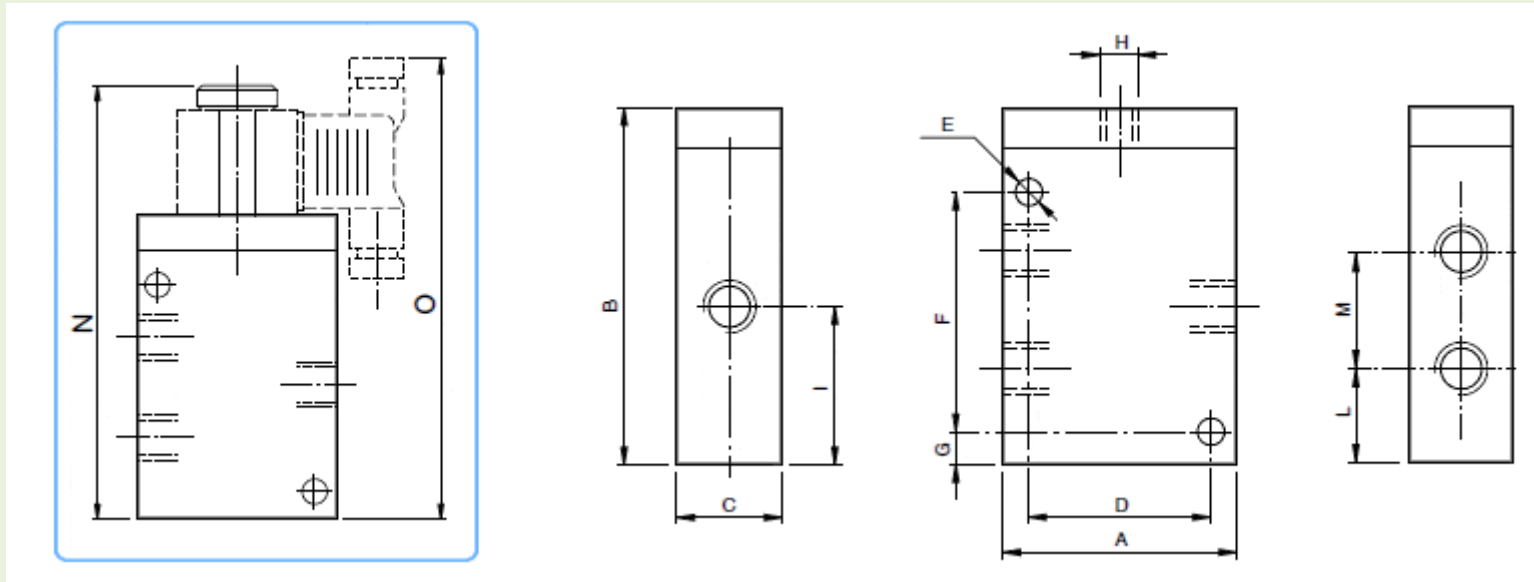
**SOLENOID OPERATION (version 5 W e 8 W)**

		Symbol	Size	Weight	Model	Dimensions
2/2 WAYS SINGLE STABLE POSITION	NC		1/8"	240	EH1A/8/E	A
			1/4"	275	EH1A/4/E	
			1/2"	695	EH1A/2/E	
			3/4"	2450	EH1A/34/D	
			1"	2450	EH1A/1/D	
	NA		1/8"	240	EH3A/8/E	
			1/4"	375	EH3A/4/E	
			1/2"	695	EH3A/2/E	
			3/4"	2450	EH3A/34/D	
			1"	2450	EH3A/1/D	
3/2 WAYS SINGLE STABLE POSITION	NC		1/8"	240	E1A/8/E	B
			1/4"	375	E1A/4/E	
			1/2"	695	E1A/2/E	
			3/4"	2450	E1A/34/D	
			1"	2450	E1A/1/D	
	NA		1/8"	240	E3A/8/E	
			1/4"	375	E3A/4/E	
			1/2"	695	E3A/2/E	
			3/4"	2450	E3A/34/D	
			1"	2450	E3A/1/D	
5/2 WAYS SINGLE STABLE POSITION			1/8"	380	E13A/8/E	C
			1/4"	615	E13A/4/E	
			1/2"	1325	E13A/2/E	
			3/4"	4900	E13A/34/D	
			1"	4900	E13A/1/D	

\* Available with external pilot - model PS



# A



SIZE	A	B	C	D	E	F mm	G	H	I	L	M	N	O
1/8"	40	70	20	29	4,25	33,5	11,5	1/8"	26	16	20	105	120
1/4"	50	80,5	25	34	5,25	39	14,5	1/8"	29,5	17,5	24	115.5	130
1/2"	70	99,5	35	50	6,25	54,5	15	1/8"	37	21	32	134.5	150
3/4"	100	166	60	82	10,5	85	33	1/8"	64,5	30	61	228	240
1"	100	166	60	82	10,5	85	33	1/8"	64,5	30	61	228	240

GROUP MODEL	Version
EH1A	E
EH3A	D
E1A	V/E
E3A	V/D

SIZE	A	B	C	D	E	F mm	G	H	I	L	M	N	O
1/8"	40	70	20	29	4,25	33,5	11,5	1/8"	26	16	20	105	120
1/4"	50	80,5	25	34	5,25	39	14,5	1/8"	29,5	17,5	24	115.5	130
1/2"	70	99,5	35	50	6,25	54,5	15	1/8"	37	21	32	134.5	150
3/4"	100	166	60	82	10,5	85	33	1/8"	64,5	30	61	228	240
1"	100	166	60	82	10,5	85	33	1/8"	64,5	30	61	228	240

GROUP MODEL	Version
EH1A	E
EH3A	D
E1A	V/E
E3A	V/D

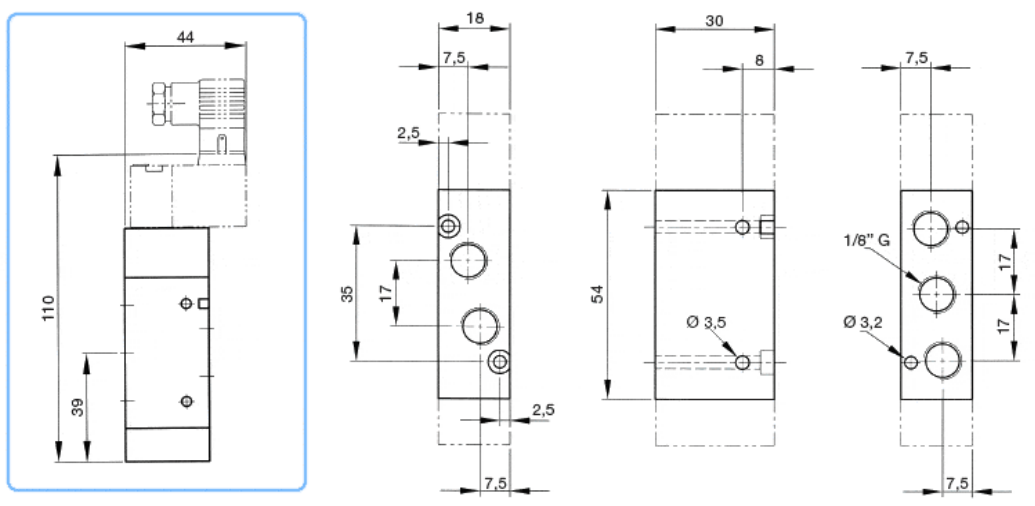


## SOLENOID OPERATED VERSION F

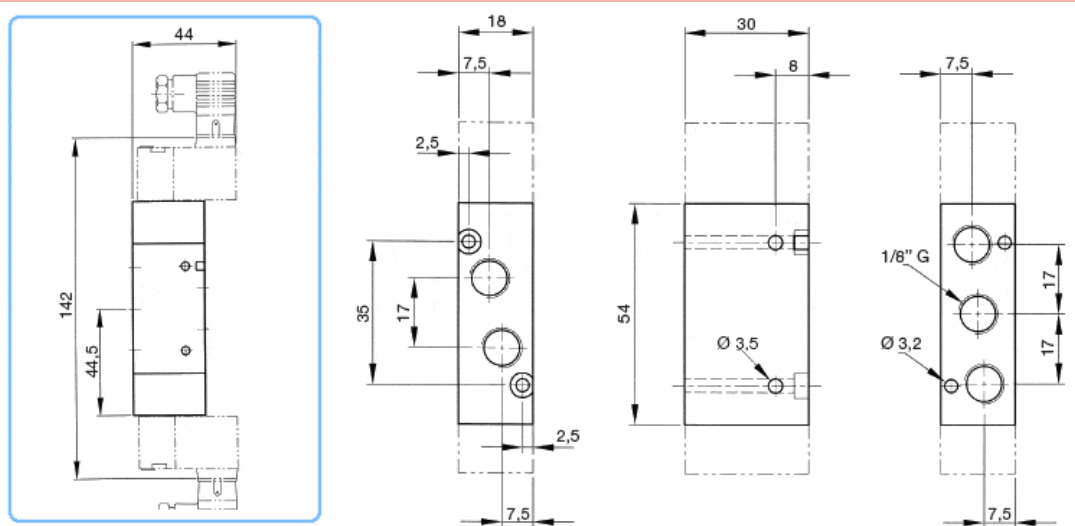


- In case of product requested with ATEX certificate, add to the EK model the suffix EX

Symbol	Functions	Weight g	Model
	5/2 single stable position	145	<b>EK 138010 (EX)</b>



Symbol	Functions	Weight g	Model
	5/2 double stable positions	185	<b>EK 138020 (EX)</b>

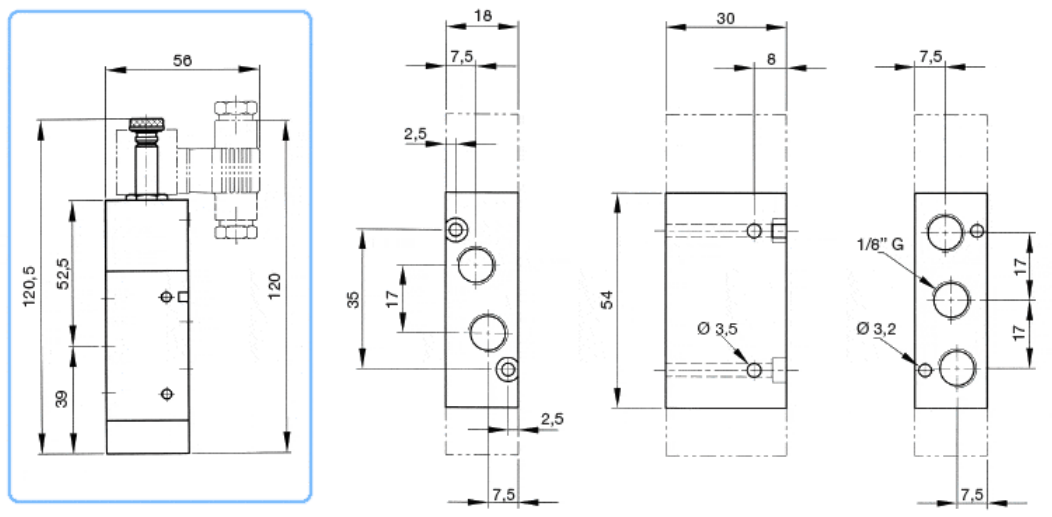


## SOLENOID OPERATED VERSION ES



- In case of product requested with ATEX certificate, add to the EK model the suffix EX

Symbol	Functions	Weight g	Model
	5/2 single stable position	145	<b>EK 138010 ES (EX)</b>



Symbol	Functions	Weight g	Model
	5/2 double stable positions	185	<b>EK 138020 ES (EX)</b>

# C

SIZE	PORT	A	B	C	D	E	F	G	H	I	L	M	FAMILY MODEL	Version
A	1/8"-1/4"	112	36	18	18	56	36	4,5	1/8"	26	40	25	DC-13	020
B	1/4"-3/8"	134	60	22	22	67	44	5,5	1/8"	40	52	30		
C	1/2"	168	108	40	40	168	80	6,5	1/8"	50	70	35		

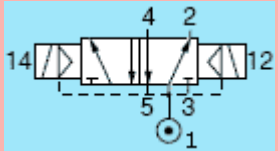
## SOLENOID OPERATED



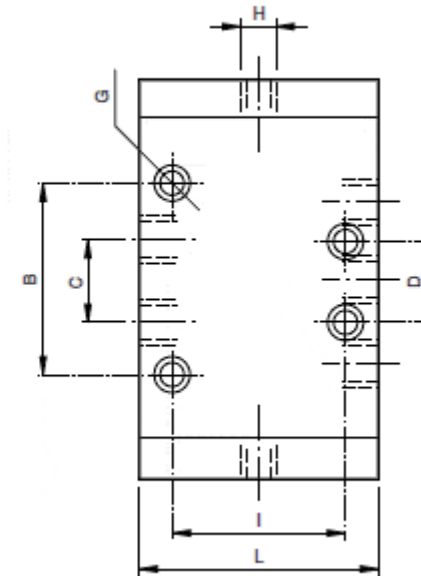
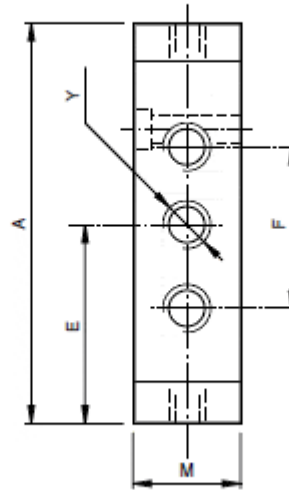
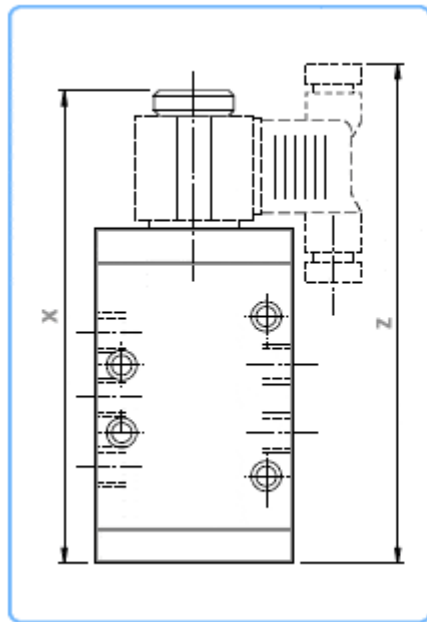
	Symbol	Size and ports	Ways	Weight g	Model	Dimensions	
SINGLE STABLE POSITION SOLENOID PILOT RETURN BY PNEUMATIC SPRING		A	1/8"	5/2	320	EC 13801L/E	A
		A	1/4"	5/2	320	EC 13801/4L/E	
		B	1/4"	5/2	630	EC 13401L/E	
		B	3/8"	5/2	630	EC 13401/3L/E	B
		C	1/2"	5/2	1500	EC 13201A/E	
SINGLE STABLE POSITION SOLENOID PILOT RETURN BY MECHANICAL		A	1/8"	5/2	320	EC 13804L/E	
		A	1/4"	5/2	320	EC 13804/4L/E	
		B	1/4"	5/2	630	EC 13404L/E	





SPRING		B	3/8"	5/2	630	EC 13404/3L/E	
		C	1/2"	5/2	1500	EC 13204A/E	
DOUBLE STABLE POSITIONS PNEUMATIC PILOT		A	1/8"	5/2	420	EC 13802L/E	B
		A	1/4"	5/2	420	EC 13802/4L/E	
		B	1/4"	5/2	710	EC 13402/L/E	
		B	3/8"	5/2	710	EC 13402/3L/E	
		C	1/2"	5/2	1600	EC 13202A/E	A

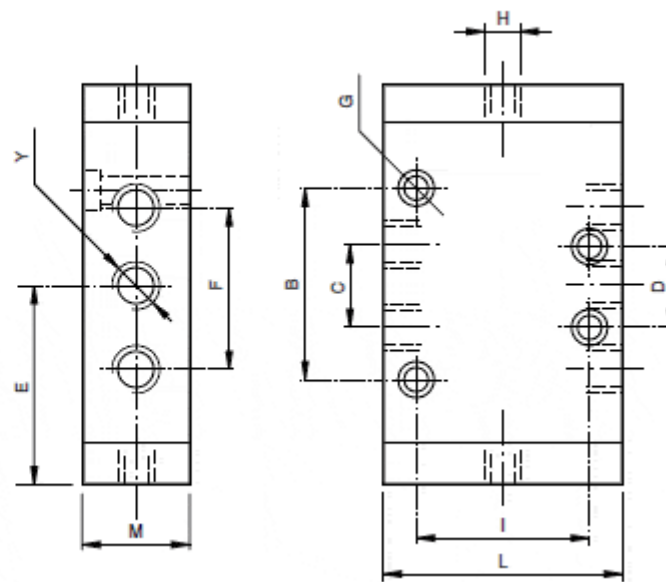
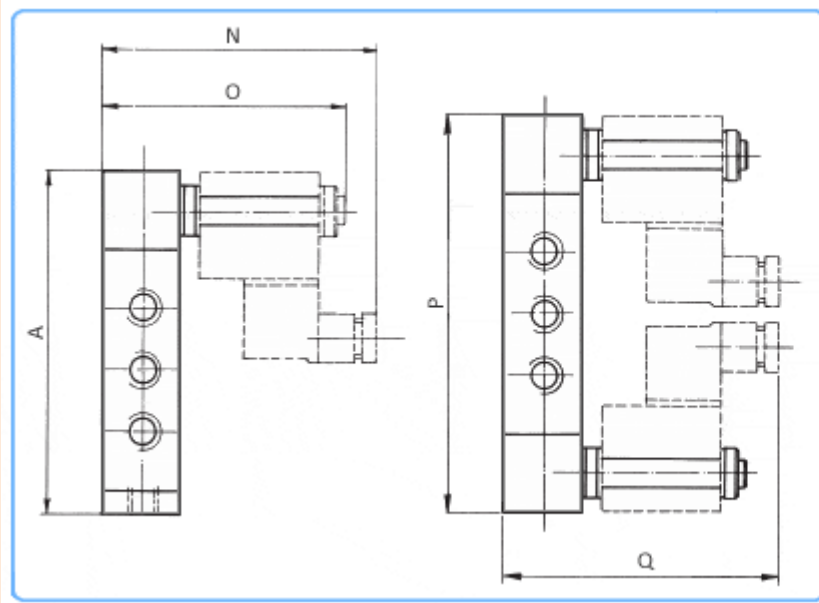
SINGLE STABLE POSITION SOLENOID OPERATED 5/2 ways from 1/8" to 3/8"



SIZE	PORT	A	B	C	D	E	F	G	H	I	L	M	X	Z	MODEL	Version
A	1/8"-1/4"	104	36	18	18	61	36	4,5	M12X0,5	26	40	25	140	155,5	EC-13	02 L/E
B	1/4"-3/8"	134	60	22	22	76	44	5,5	M12X0,5	40	52	30	168	185,5	EC-51	02 L/E

SINGLE – DOUBLE POSITIONS SOLENOID OPERATED 5/2 - 5/3 ways 1/2"





PORT Y	A	B	C	D	E	F	G	H	I	L	M	N	O	P	Q	X	MODEL	Version
1/2"	192	108	40	40	92	80	6,5	M12X0,5	50	70	35	85	70	200	88	35	EC-13	01 A/E
																	EC-51	02 A/E



## PNEUMATIC VALVES

### BALANCED SPOOL VALVES SERIES K83



The K83 series valves with balanced spool have extremely compact external dimensions and are available with 1/8" G and 1/4" G connections and pneumatic or electrical operation.

The body and the spool are made of anodized chemical nickel plated aluminium.

Mounting is possible on manifold or in line and on panel through the holes in valve body, in any position.

On request, available with ATEX certification



### TECHNICAL DATA

#### FLOW RATES

SIZE	FLOW RATE NI/ Min.				
	3	4	5	6	7
1/8"	400	450	500	550	600
1/4"	800	900	1000	1100	1200
Pressure bar	3	4	5	6	7

#### CONSTRUCTIVE FEATURES

<b>Port</b>	1/8" - 1/4"
<b>Ways</b>	5/2 - 5/3 - 2x3/2
<b>Functions</b>	Pneumatic-Solenoid
<b>Body</b>	Anodized aluminium
<b>Spool</b>	Chemical nickel plated aluminium alloy
<b>Seals</b>	Nitrile rubber NBR
<b>Internal parts</b>	Brass
<b>Fixing</b>	Through holes on valve body or on manifold bases

#### TECHNICAL DATA

<b>Fluid</b>	Filtered air 50 micron
<b>Lubrication</b>	With or without lubrication (moist air)
<b>Lubricant</b>	Compatible with NBR (3°+10° E) class H

## TECHNICAL FEATURES

	1/8"	1/4"
<b>Nominal diameter (mm.)</b>	5	7.5
<b>Operating pressure</b>	max. 10 bar - max. 1MPa	
<b>Minimum pilot pressure</b>	1÷2.5 bar - 0,1÷0,25 MPa	
<b>Temperature range</b>	-10°C ÷ +60°C	

## ELECTRICAL FEATURES

<b>Power consumption</b>	DC=3W - AC=5VA
<b>DC voltages</b>	12-24 V
<b>AC voltages</b>	24-110-230V 50-60Hz
<b>Duty cycle</b>	100%
<b>Permissible voltage fluctuation</b>	±10%
<b>Protection</b>	IP 65
<b>Connector</b>	2 positions 180°

## RANGE

## PNEUMATIC OPERATED



	SYMBOL	Size	Ways	Weight g	Model
SINGLE STABLE POSITION PNEUMATIC PILOT RETURN BY PNEUMATIC SPRING		1/8"	5/2		<b>DK8516</b>
		1/4"	5/2		<b>DK4516</b>
DOUBLE STABLE POSITIONS PNEUMATIC PILOT		1/8"	5/2		<b>DK8526</b>
		1/4"	5/2		<b>DK4526</b>
DOUBLE STABLE POSITIONS DIFFERENTIAL PNEUMATIC PILOT		1/8"	5/2		<b>DK8527</b>
		1/4"	5/2		<b>DK4527</b>



## SOLENOID OPERATED (VERSION NAMUR )



Versione NAMUR  
NAMUR version

	SYMBOL	Size	Ways	Weight g	Model
SINGLE STABLE POSITION SOLENOID PILOT RETURN BY PNEUMATIC SPRING		1/8"	5/2		<b>EK 8511/C</b>
		1/4"	5/2		<b>EK 4511/C</b>
		1/4" <b>NAMUR</b>	5/2		<b>ENK 4511/C</b>
DOUBLE STABLE POSITIONS SOLENOID PILOT		1/8"	5/2		<b>EK 8521/C</b>
		1/4"	5/2		<b>EK 4521/C</b>
		1/4" <b>NAMUR</b>	5/2		<b>ENK 4521/C</b>
DOUBLE STABLE POSITIONS DIFFERENTIAL SOLENOIDPILOT		1/8"	5/2		<b>EK 8522/C</b>
		1/4"	5/2		<b>EK 4522/C</b>
CLOSED CENTERS SOLENOID PILOT		1/8"	5/3		<b>EK 8621/C</b>
		1/4"	5/3		<b>EK 4621/C</b>
OPENCENTERS SOLENOID PILOT		1/8"	5/3		<b>EK 8721/C</b>
		1/4"	5/3		<b>EK 4721/C</b>

## SUB-BASES



Nr. stations	Model	
	1/8"	1/4"



2	BCK5-82	BCK5-42
3	BCK5-83	BCK5-43
4	BCK5-84	BCK5-44
5	BCK5-85	BCK5-45
6	BCK5-86	BCK5-46
7	BCK5-87	BCK5-47
8	BCK5-88	BCK5-48

### COIL - CONNECTOR



**BOB C\***

COIL 3W

\*specify voltage



**CNN 1**

Connector

